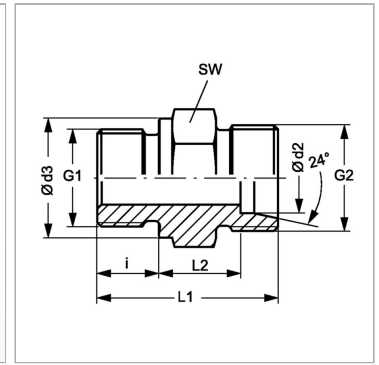


Характеристики

Соединение 1	Наружная резьба BSP, цилиндрическая
Форма уплотнения 1	Форма В
Форма уплотнения 2	Внутренний конус 24°
Соединение 2	Метрическая наружная резьба, цилиндрическая
Конструкция	прямые
Модель	Ввертное резьбовое соединение
Норма	DIN 2353 ISO 8434-1
Материал	нержавеющая сталь



Указания

Указания по монтажу, установке, нагрузке давлением и допустимым рабочим температурам представлены в технической информации для резьбовых трубных соединений.

Комплект поставки

Штуцер (без накидной гайки и режущего кольца)

Артикул

Наименование	Наружный Ø трубы	G1	G2	i	L1	L2	Ø d2	Ø d3	SW	Рабочее давление, бар
XVRNW04HLVA	6	G 1/8" -28	M 12 x 1,5 8	23,5	8,5	6	14	14	14	PN 315
XVRNW04HL1/4VA	6	G 1/4" -19	M 12 x 1,5 12	29,0	10,0	6	18	19	19	PN 315
XVRNW04HL3/8VA	6	G 3/8" -19	M 12 x 1,5 12	30,5	11,5	6	22	22	22	PN 315
XVRNW04HL1/2VA	6	G 1/2" -14	M 12 x 1,5 14	32,0	12,0	6	26	27	27	PN 315
XVRNW06HL1/8VA	8	G 1/8" -28	M 14 x 1,5 8	24,0	9,0	8	14	14	14	PN 315
XVRNW06HLVA	8	G 1/4" -19	M 14 x 1,5 12	29,0	10,0	8	18	19	19	PN 315
XVRNW06HL3/8VA	8	G 3/8" -19	M 14 x 1,5 12	30,5	11,5	8	22	22	22	PN 315
XVRNW06HL1/2VA	8	G 1/2" -14	M 14 x 1,5 14	33,0	12,0	8	26	27	27	PN 315
XVRNW08HL1/8VA	10	G 1/8" -28	M 16 x 1,5 8	25,5	10,5	10	14	17	17	PN 315
XVRNW08HLVA	10	G 1/4" -19	M 16 x 1,5 12	30,0	11,0	10	18	19	19	PN 315
XVRNW08HL3/8VA	10	G 3/8" -19	M 16 x 1,5 12	31,5	12,5	10	22	22	22	PN 315
XVRNW08HL1/2VA	10	G 1/2" -14	M 16 x 1,5 14	34,0	13,0	10	26	27	27	PN 315
XVRNW08HL3/4VA	10	G 3/4" -14	M 16 x 1,5 16	37,0	14,0	10	32	32	32	PN 315
XVRNW10HL1/8VA	12	G 1/8" -28	M 18 x 1,5 8	26,5	11,5	12	14	19	19	PN 315
XVRNW10HL1/4VA	12	G 1/4" -19	M 18 x 1,5 12	31,0	12,0	12	18	19	19	PN 315
XVRNW10HLVA	12	G 3/8" -19	M 18 x 1,5 12	31,5	12,5	12	22	22	22	PN 315
XVRNW10HL1/2VA	12	G 1/2" -14	M 18 x 1,5 14	34,0	13,0	12	26	27	27	PN 315
XVRNW10HL3/4VA	12	G 3/4" -14	M 18 x 1,5 16	37,0	14,0	12	32	32	32	PN 315
XVRNW13HL1/4VA	15	G 1/4" -19	M 22 x 1,5 12	32,0	13,0	15	18	24	24	PN 315
XVRNW13HL3/8VA	15	G 3/8" -19	M 22 x 1,5 12	33,0	14,0	15	22	24	24	PN 250
XVRNW13HLVA	15	G 1/2" -14	M 22 x 1,5 14	35,0	14,0	15	26	27	27	PN 250
XVRNW13HL3/4VA	15	G 3/4" -14	M 22 x 1,5 16	38,0	15,0	15	32	32	32	PN 250
XVRNW16HL3/8VA	18	G 3/8" -19	M 26 x 1,5 12	33,5	14,0	18	22	27	27	PN 250
XVRNW16HLVA	18	G 1/2" -14	M 26 x 1,5 14	36,0	14,5	18	26	27	27	PN 250
XVRNW16HL3/4VA	18	G 3/4" -14	M 26 x 1,5 16	38,0	14,5	18	32	32	32	PN 250
XVRNW16HL1VA	18	G 1" -11	M 26 x 1,5 18	40,5	15,0	18	39	41	41	PN 250
XVRNW20HL3/8VA	22	G 3/8" -19	M 30 x 2 12	36,0	16,5	22	22	32	32	PN 160
XVRNW20HL1/2VA	22	G 1/2" -14	M 30 x 2 14	38,0	16,5	22	26	32	32	PN 160
XVRNW20HLVA	22	G 3/4" -14	M 30 x 2 16	40,0	16,5	22	32	32	32	PN 160
XVRNW20HL1VA	22	G 1" -11	M 30 x 2 18	43,0	17,5	22	39	41	41	PN 160
XVRNW20HL11/4VA	22	G 1.1/4" -11	M 30 x 2 20	46,0	18,5	22	49	50	50	PN 160
XVRNW25HL1/2VA	28	G 1/2" -14	M 36 x 2 14	40,0	18,5	28	26	41	41	PN 160
XVRNW25HL3/4VA	28	G 3/4" -14	M 36 x 2 16	41,0	17,5	28	32	41	41	PN 160
XVRNW25HLVA	28	G 1" -11	M 36 x 2 18	43,0	17,5	28	39	41	41	PN 160
XVRNW25HL11/4VA	28	G 1.1/4" -11	M 36 x 2 20	46,0	18,5	28	49	50	50	PN 160
XVRNW32HL1/2VA	35	G 1/2" -14	M 45 x 2 14	42,0	17,5	35	26	46	46	PN 160
XVRNW32HL3/4VA	35	G 3/4" -14	M 45 x 2 16	45,0	18,5	35	32	46	46	PN 160

Наименование	Наружный Ø трубы	G1	G2	i	L1	L2	Ø d2	Ø d3	SW	Рабочее давление, бар
XVRNW32HL1VA	35	G 1" -11	M 45 x 2	18	47,0	18,5	35	39	50	PN 160
XVRNW32HLVA	35	G 1.1/4" -11	M 45 x 2	20	48,0	17,5	35	49	50	PN 160
XVRNW32HL11/2VA	35	G 1.1/2" -11	M 45 x 2	22	51,0	18,5	35	55	55	PN 160
XVRNW40HL1VA	42	G 1" -11	M 52 x 2	18	48,0	19,0	42	39	55	PN 160
XVRNW40HL11/4VA	42	G 1.1/4" -11	M 52 x 2	20	50,0	19,0	42	49	55	PN 160
XVRNW40HLVA	42	G 1.1/2" -11	M 52 x 2	22	52,0	19,0	42	55	55	PN 160
XVRNW03HS1/8VA	6	G 1/8" -28	M 14 x 1,5	8	27,5	12,5	6	14	17	PN 400
XVRNW03HSVA	6	G 1/4" -19	M 14 x 1,5	12	32,0	13,0	6	18	19	PN 400
XVRNW03HS3/8VA	6	G 3/8" -19	M 14 x 1,5	12	32,5	13,5	6	22	22	PN 400
XVRNW03HS1/2VA	6	G 1/2" -14	M 14 x 1,5	14	35,0	14,0	6	26	27	PN 400
XVRNW03HS3/4VA	6	G 3/4" -14	M 14 x 1,5	16	38,0	15,0	6	32	32	PN 400
XVRNW04HS1/8VA	8	G 1/8" -28	M 16 x 1,5	8	27,0	12,0	8	14	17	PN 400
XVRNW04HSVA	8	G 1/4" -19	M 16 x 1,5	12	34,0	15,0	8	18	19	PN 400
XVRNW04HS3/8VA	8	G 3/8" -19	M 16 x 1,5	12	34,5	15,5	8	22	22	PN 400
XVRNW04HS1/2VA	8	G 1/2" -14	M 16 x 1,5	14	37,0	16,0	8	26	27	PN 400
XVRNW06HS1/8VA	10	G 1/8" -28	M 18 x 1,5	8	29,5	14,0	10	14	19	PN 400
XVRNW06HS1/4VA	10	G 1/4" -19	M 18 x 1,5	12	34,0	14,5	10	18	22	PN 400
XVRNW06HSVA	10	G 3/8" -19	M 18 x 1,5	12	34,5	15,0	10	22	22	PN 400
XVRNW06HS1/2VA	10	G 1/2" -14	M 18 x 1,5	14	39,0	17,5	10	26	27	PN 400
XVRNW06HS3/4VA	10	G 3/4" -14	M 18 x 1,5	16	38,0	14,5	10	32	32	PN 400
XVRNW08HS1/4VA	12	G 1/4" -19	M 20 x 1,5	12	36,0	16,5	12	18	22	PN 400
XVRNW08HSVA	12	G 3/8" -19	M 20 x 1,5	12	36,5	17,5	12	22	22	PN 400
XVRNW08HS1/2VA	12	G 1/2" -14	M 20 x 1,5	14	39,0	17,5	12	26	27	PN 400
XVRNW08HS3/4VA	12	G 3/4" -14	M 20 x 1,5	16	41,0	17,5	12	32	32	PN 400
XVRNW10HS1/4VA	14	G 1/4" -19	M 22 x 1,5	12	38,5	18,5	14	18	24	PN 400
XVRNW10HS3/8VA	14	G 3/8" -19	M 22 x 1,5	12	38,5	18,5	14	22	24	PN 400
XVRNW10HSVA	14	G 1/2" -14	M 22 x 1,5	14	41,0	19,0	14	26	27	PN 400
XVRNW10HS3/4VA	14	G 3/4" -14	M 22 x 1,5	16	43,0	19,0	14	32	32	PN 400
XVRNW10HS1VA	14	G 1" -11	M 22 x 1,5	18	48,0	22,0	14	39	41	PN 250
XVRNW13HS1/4VA	16	G 1/4" -19	M 24 x 1,5	12	38,0	17,5	16	18	27	PN 400
XVRNW13HS3/8VA	16	G 3/8" -19	M 24 x 1,5	12	39,0	18,5	16	22	27	PN 400
XVRNW13HSVA	16	G 1/2" -14	M 24 x 1,5	14	41,0	18,5	16	26	27	PN 400
XVRNW13HS3/4VA	16	G 3/4" -14	M 24 x 1,5	16	45,0	20,5	16	32	32	PN 400
XVRNW13HS1VA	16	G 1" -11	M 24 x 1,5	18	43,5	21,5	16	39	41	PN 400
XVRNW16HS3/8VA	20	G 3/8" -19	M 30 x 2	12	45,0	22,5	20	22	32	PN 400
XVRNW16HS1/2VA	20	G 1/2" -14	M 30 x 2	14	45,0	20,5	20	26	32	PN 400
XVRNW16HSVA	20	G 3/4" -14	M 30 x 2	16	47,0	20,5	20	32	32	PN 400
XVRNW16HS1VA	20	G 1" -11	M 30 x 2	18	50,0	21,5	20	39	41	PN 250
XVRNW16HS11/4VA	20	G 1.1/4" -11	M 30 x 2	20	53,0	22,5	20	49	50	PN 400
XVRNW16HS11/2VA	20	G 1.1/2" -11	M 30 x 2	22	58,0	25,5	20	55	55	PN 400
XVRNW20HS1/2VA	25	G 1/2" -14	M 36 x 2	14	49,0	23,0	25	26	41	PN 250
XVRNW20HS3/4VA	25	G 3/4" -14	M 36 x 2	16	51,0	23,0	25	32	41	PN 250
XVRNW20HSVA	25	G 1" -11	M 36 x 2	18	53,0	23,0	25	39	41	PN 250
XVRNW20HS11/4VA	25	G 1.1/4" -11	M 36 x 2	20	56,0	24,0	25	49	50	PN 250
XVRNW20HS11/2VA	25	G 1.1/2" -11	M 36 x 2	22	60,0	26,0	25	55	55	PN 250
XVRNW25HS3/4VA	30	G 3/4" -14	M 42 x 2	16	53,0	23,5	30	32	46	PN 160
XVRNW25HS1VA	30	G 1" -11	M 42 x 2	18	55,0	23,5	30	39	46	PN 160
XVRNW25HSVA	30	G 1.1/4" -11	M 42 x 2	20	57,0	23,5	30	49	50	PN 160
XVRNW25HS11/2VA	30	G 1.1/2" -11	M 42 x 2	22	62,0	26,5	30	55	55	PN 160
XVRNW32HS1VA	38	G 1" -11	M 52 x 2	18	60,0	26,0	38	39	55	PN 160
XVRNW32HS11/4VA	38	G 1.1/4" -11	M 52 x 2	20	62,0	26,0	38	49	55	PN 160
XVRNW32HSVA	38	G 1.1/2" -11	M 52 x 2	22	64,0	26,0	38	55	55	PN 160

Серия: LL = очень легкая; L = легкая; S = тяжелая

PN = Номинальное давление (бар)

Ø d2 = наружный диаметр трубы

SW = размер под ключ