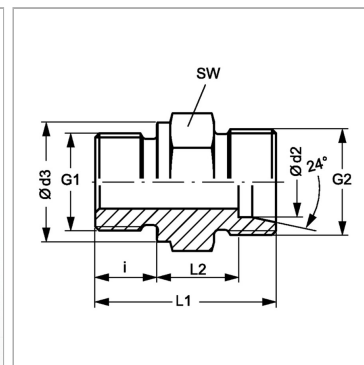


Характеристики

Соединение 1	Наружная резьба BSP, цилиндрическая
Форма уплотнения 1	Форма В
Форма уплотнения 2	Внутренний конус 24°
Соединение 2	Метрическая наружная резьба, цилиндрическая
Конструкция	прямые
Модель	Ввертное резьбовое соединение
Норма	DIN 2353 ISO 8434-1
Материал	Сталь
Защита поверхности	Гальваническое покрытие



Указания

Указания по монтажу, установке, нагрузке давлением и допустимым рабочим температурам представлены в технической информации для резьбовых трубных соединений.

Комплект поставки

Штуцер (без накидной гайки и режущего кольца)

Артикул

Наименование	Наружный Ø трубы	G1	G2	i	L1	L2	Ø d2	Ø d3	SW	Рабочее давление, бар
XVRNW04HL	6	G 1/8" -28	M 12 x 1,5 8	23,5	8,5	6	14	14	14	PN 315
XVRNW04HL1/4	6	G 1/4" -19	M 12 x 1,5 12	29,0	10,0	6	18	19	19	PN 315
XVRNW04HL3/8	6	G 3/8" -19	M 12 x 1,5 12	30,5	11,5	6	22	22	22	PN 315
XVRNW04HL1/2	6	G 1/2" -14	M 12 x 1,5 14	33,0	12,0	6	26	27	27	PN 315
XVRNW06HL1/8	8	G 1/8" -28	M 14 x 1,5 8	24,0	9,0	8	14	14	14	PN 315
XVRNW06HL	8	G 1/4" -19	M 14 x 1,5 12	29,0	10,0	8	18	19	19	PN 315
XVRNW06HL3/8	8	G 3/8" -19	M 14 x 1,5 12	30,5	11,5	8	22	22	22	PN 315
XVRNW06HL1/2	8	G 1/2" -14	M 14 x 1,5 14	33,0	12,0	8	26	27	27	PN 315
XVRNW08HL1/8	10	G 1/8" -28	M 16 x 1,5 8	25,5	10,5	10	14	17	17	PN 315
XVRNW08HL	10	G 1/4" -19	M 16 x 1,5 12	30,0	11,0	10	18	19	19	PN 315
XVRNW08HL3/8	10	G 3/8" -19	M 16 x 1,5 12	31,5	12,5	10	22	22	22	PN 315
XVRNW08HL1/2	10	G 1/2" -14	M 16 x 1,5 14	34,0	13,0	10	26	27	27	PN 315
XVRNW10HL1/8	12	G 1/8" -28	M 18 x 1,5 8	26,5	11,5	12	14	19	19	PN 315
XVRNW10HL1/4	12	G 1/4" -19	M 18 x 1,5 12	31,0	12,0	12	18	19	19	PN 315
XVRNW10HL	12	G 3/8" -19	M 18 x 1,5 12	31,5	12,5	12	22	22	22	PN 315
XVRNW10HL1/2	12	G 1/2" -14	M 18 x 1,5 14	34,0	13,0	12	26	27	27	PN 315
XVRNW10HL3/4	12	G 3/4" -14	M 18 x 1,5 16	37,0	14,0	12	32	32	32	PN 315
XVRNW13HL1/4	15	G 1/4" -19	M 22 x 1,5 12	32,0	13,0	15	18	24	24	PN 315
XVRNW13HL3/8	15	G 3/8" -19	M 22 x 1,5 12	33,0	14,0	15	22	24	24	PN 250
XVRNW13HL	15	G 1/2" -14	M 22 x 1,5 14	35,0	14,0	15	26	27	27	PN 250
XVRNW13HL3/4	15	G 3/4" -14	M 22 x 1,5 16	38,0	15,0	15	32	32	32	PN 250
XVRNW13HL1	15	G 1" -11	M 22 x 1,5 18	42,5	17,5	15	39	41	41	PN 250
XVRNW16HL3/8	18	G 3/8" -19	M 26 x 1,5 12	33,5	14,0	18	22	27	27	PN 250
XVRNW16HL	18	G 1/2" -14	M 26 x 1,5 14	36,0	14,5	18	26	27	27	PN 250
XVRNW16HL3/4	18	G 3/4" -14	M 26 x 1,5 16	38,0	14,5	18	32	32	32	PN 250
XVRNW16HL1	18	G 1" -11	M 26 x 1,5 18	40,5	15,0	18	39	41	41	PN 250
XVRNW20HL1/2	22	G 1/2" -14	M 30 x 2 14	38,0	16,5	22	26	32	32	PN 160
XVRNW20HL	22	G 3/4" -14	M 30 x 2 16	40,0	16,5	22	32	32	32	PN 160
XVRNW20HL1	22	G 1" -11	M 30 x 2 18	43,0	17,5	22	39	41	41	PN 160
XVRNW25HL1/2	28	G 1/2" -14	M 36 x 2 14	40,0	18,5	28	26	41	41	PN 160
XVRNW25HL3/4	28	G 3/4" -14	M 36 x 2 16	41,0	17,5	28	32	41	41	PN 160
XVRNW25HL	28	G 1" -11	M 36 x 2 18	43,0	17,5	28	39	41	41	PN 160
XVRNW25HL11/4	28	G 1.1/4" -11	M 36 x 2 20	46,0	18,3	28	49	50	50	PN 160
XVRNW32HL3/4	35	G 3/4" -14	M 45 x 2 16	45,0	18,5	35	32	46	46	PN 160
XVRNW32HL1	35	G 1" -11	M 45 x 2 18	47,0	18,5	35	39	50	50	PN 160

Наименование	Наружный Ø трубы	G1	G2	i	L1	L2	Ø d2	Ø d3	SW	Рабочее давление, бар
XVRNW32HL	35	G 1.1/4" -11	M 45 x 2	20	48,0	17,5	35	49	50	PN 160
XVRNW32HL11/2	35	G 1.1/2" -11	M 45 x 2	22	51,0	18,5	35	55	55	PN 160
XVRNW40HL11/4	42	G 1.1/4" -11	M 52 x 2	20	50,0	19,0	42	49	55	PN 160
XVRNW40HL	42	G 1.1/2" -11	M 52 x 2	22	52,0	19,0	42	55	55	PN 160
XVRNW03HS1/8	6	G 1/8" -28	M 14 x 1,5	8	27,5	12,5	6	14	14	PN 400
XVRNW03HS	6	G 1/4" -19	M 14 x 1,5	12	32,0	13,0	6	18	19	PN 400
XVRNW03HS3/8	6	G 3/8" -19	M 14 x 1,5	12	32,5	13,5	6	22	22	PN 400
XVRNW03HS1/2	6	G 1/2" -14	M 14 x 1,5	14	35,0	14,0	6	26	27	PN 400
XVRNW04HS	8	G 1/4" -19	M 16 x 1,5	12	34,0	15,0	8	18	19	PN 400
XVRNW04HS3/8	8	G 3/8" -19	M 16 x 1,5	12	34,5	15,5	8	22	22	PN 400
XVRNW04HS1/2	8	G 1/2" -14	M 16 x 1,5	14	37,0	16,0	8	26	27	PN 400
XVRNW06HS1/4	10	G 1/4" -19	M 18 x 1,5	12	34,0	14,5	10	18	19	PN 400
XVRNW06HS	10	G 3/8" -19	M 18 x 1,5	12	34,5	15,0	10	22	22	PN 400
XVRNW06HS1/2	10	G 1/2" -14	M 18 x 1,5	14	39,0	17,5	10	26	27	PN 400
XVRNW08HS1/4	12	G 1/4" -19	M 20 x 1,5	12	36,0	16,5	12	18	22	PN 400
XVRNW08HS	12	G 3/8" -19	M 20 x 1,5	12	36,5	17,0	12	22	22	PN 400
XVRNW08HS1/2	12	G 1/2" -14	M 20 x 1,5	14	39,0	17,5	12	26	27	PN 400
XVRNW08HS3/4	12	G 3/4" -14	M 20 x 1,5	16	41,0	17,5	12	32	32	PN 400
XVRNW10HS3/8	14	G 3/8" -19	M 22 x 1,5	12	38,5	18,5	14	22	27	PN 400
XVRNW10HS	14	G 1/2" -14	M 22 x 1,5	14	41,0	19,0	14	27	27	PN 400
XVRNW10HS3/4	14	G 3/4" -14	M 22 x 1,5	16	43,0	19,0	14	32	32	PN 400
XVRNW13HS1/4	16	G 1/4" -19	M 24 x 1,5	12	38,0	18,5	16	22	27	PN 400
XVRNW13HS3/8	16	G 3/8" -19	M 24 x 1,5	12	39,0	18,5	16	22	27	PN 400
XVRNW13HS	16	G 1/2" -14	M 24 x 1,5	14	41,0	18,5	16	26	27	PN 400
XVRNW13HS3/4	16	G 3/4" -14	M 24 x 1,5	16	45,0	20,5	16	32	32	PN 400
XVRNW16HS1/2	20	G 1/2" -14	M 30 x 2	14	45,0	20,5	20	26	32	PN 400
XVRNW16HS	20	G 3/4" -14	M 30 x 2	18	47,0	20,5	20	39	32	PN 400
XVRNW16HS1	20	G 1" -11	M 30 x 2	18	50,0	21,5	20	39	41	PN 250
XVRNW20HS1/2	25	G 1/2" -14	M 36 x 2	14	49,0	23,0	25	26	41	PN 250
XVRNW20HS3/4	25	G 3/4" -14	M 36 x 2	16	51,0	23,5	25	32	41	PN 250
XVRNW20HS	25	G 1" -11	M 36 x 2	18	53,0	23,0	25	39	41	PN 250
XVRNW20HS11/4	25	G 1.1/4" -11	M 36 x 2	20	56,0	24,0	25	49	50	PN 160
XVRNW25HS3/4	30	G 3/4" -14	M 42 x 2	16	53,0	23,5	30	32	46	PN 160
XVRNW25HS1	30	G 1" -11	M 42 x 2	18	55,0	23,5	30	39	46	PN 160
XVRNW25HS	30	G 1.1/4" -11	M 42 x 2	20	57,0	23,5	30	49	50	PN 160
XVRNW25HS11/2	30	G 1.1/2" -11	M 42 x 2	22	50,0	23,5	30	55	55	PN 160
XVRNW32HS1	38	G 1" -11	M 52 x 2	18	60,0	26,0	38	39	55	PN 160
XVRNW32HS11/4	38	G 1.1/4" -11	M 52 x 2	20	62,0	26,0	38	49	55	PN 160
XVRNW32HS	38	G 1.1/2" -11	M 52 x 2	22	64,0	26,0	38	55	55	PN 160

Серия: LL = очень легкая; L = легкая; S = тяжелая

Ø d2 = наружный диаметр трубы

PN = Номинальное давление (бар)

SW = размер под ключ