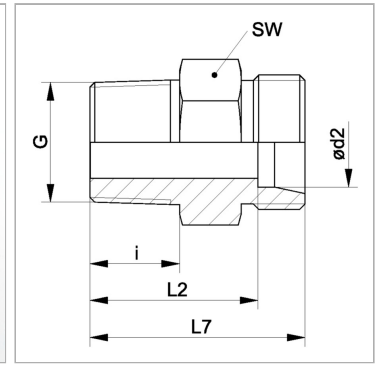


### Характеристики

<b>Соединение 1</b>	Наружная резьба NPT
<b>Форма уплотнения 1</b>	Резьбовое уплотнение
<b>Форма уплотнения 2</b>	Внутренний конус 24°
<b>Соединение 2</b>	Метрическая наружная резьба, цилиндрическая
<b>Конструкция</b>	прямые
<b>Модель</b>	Ввертное резьбовое соединение
<b>Норма</b>	DIN 2353 ISO 8434-1
<b>Материал</b>	нержавеющая сталь



### Указания

Указания по монтажу, установке, нагрузке давлением и допустимым рабочим температурам представлены в технической информации для резьбовых трубных соединений.

### Комплект поставки

Штуцер (без накидной гайки и режущего кольца)

### Артикул

Наименование	Наружный Ø трубы	G	i	L2	L7	Ø d2	SW	Рабочее давление, бар
<a href="#">XVN04LLVA</a>	4	1/8" -27 NPT	10,0	18,0	22,0	4	11	PN 100
<a href="#">XVN06LLVA</a>	6	1/8" -27 NPT	10,0	16,5	22,0	6	11	PN 100
<a href="#">XVN08LLVA</a>	8	1/8" -27 NPT	10,0	18,5	24,0	8	12	PN 100
<a href="#">XVNNW04HLVA</a>	6	1/8" -27 NPT	10,0	17,0	24,0	6	12	PN 315
<a href="#">XVNNW04HL1/4VA</a>	6	1/4" -18 NPT	15,0	23,0	30,0	6	17	PN 315
<a href="#">XVNNW04HL3/8VA</a>	6	3/8" -18 NPT	15,3	24,0	31,0	6	19	PN 315
<a href="#">XVNNW04HL1/2VA</a>	6	1/2" -14 NPT	20,0	29,0	36,0	6	24	PN 315
<a href="#">XVNNW06HL1/8VA</a>	8	1/8" -27 NPT	10,0	18,0	25,0	8	17	PN 315
<a href="#">XVNNW06HLVA</a>	8	1/4" -18 NPT	15,0	23,0	30,0	8	17	PN 315
<a href="#">XVNNW06HL3/8VA</a>	8	3/8" -18 NPT	15,3	24,0	31,0	8	19	PN 315
<a href="#">XVNNW06HL1/2VA</a>	8	1/2" -14 NPT	20,0	29,0	36,0	8	24	PN 315
<a href="#">XVNNW08HL1/8VA</a>	10	1/8" -27 NPT	10,0	19,0	26,0	10	17	PN 315
<a href="#">XVNNW08HLVA</a>	10	1/4" -18 NPT	15,0	24,0	31,0	10	17	PN 315
<a href="#">XVNNW08HL3/8VA</a>	10	3/8" -18 NPT	15,3	25,0	32,0	10	19	PN 315
<a href="#">XVNNW08HL1/2VA</a>	10	1/2" -14 NPT	20,0	30,0	37,0	10	24	PN 315
<a href="#">XVNNW08HL3/4VA</a>	10	3/4" -14 NPT	20,2	31,0	38,0	10	27	PN 315
<a href="#">XVNNW10HL1/8VA</a>	12	1/8" -27 NPT	10,0	19,5	26,5	12	19	PN 315
<a href="#">XVNNW10HL1/4VA</a>	12	1/4" -18 NPT	15,0	25,0	32,0	12	19	PN 315
<a href="#">XVNNW10HLVA</a>	12	3/8" -18 NPT	15,3	25,0	32,0	12	19	PN 315
<a href="#">XVNNW10HL1/2VA</a>	12	1/2" -14 NPT	20,0	30,0	37,0	12	24	PN 315
<a href="#">XVNNW10HL3/4VA</a>	12	3/4" -14 NPT	20,2	31,0	38,0	12	27	PN 315
<a href="#">XVNNW13HL1/4VA</a>	15	1/4" -18 NPT	15,0	26,0	33,0	15	24	PN 315
<a href="#">XVNNW13HL3/8VA</a>	15	3/8" -18 NPT	15,3	26,5	33,5	15	24	PN 315
<a href="#">XVNNW13HLVA</a>	15	1/2" -14 NPT	20,0	31,0	38,0	15	24	PN 315
<a href="#">XVNNW13HL3/4VA</a>	15	3/4" -14 NPT	20,2	32,0	39,0	15	27	PN 315
<a href="#">XVNNW13HL1VA</a>	15	1" -11,5 NPT	25,0	37,5	44,5	15	36	PN 315
<a href="#">XVNNW16HL3/8VA</a>	18	3/8" -18 NPT	15,3	27,0	34,5	18	27	PN 315
<a href="#">XVNNW16HLVA</a>	18	1/2" -14 NPT	20,0	31,5	39,0	18	27	PN 315
<a href="#">XVNNW16HL3/4VA</a>	18	3/4" -14 NPT	20,2	31,5	39,0	18	27	PN 315
<a href="#">XVNNW16HL1VA</a>	18	1" -11,5 NPT	25,0	37,0	44,5	18	36	PN 315
<a href="#">XVNNW20HL3/8VA</a>	22	3/8" -18 NPT	15,3	29,0	36,5	22	32	PN 160
<a href="#">XVNNW20HL1/2VA</a>	22	1/2" -14 NPT	20,0	33,5	41,0	22	32	PN 160
<a href="#">XVNNW20HLVA</a>	22	3/4" -14 NPT	20,2	33,5	41,0	22	32	PN 160
<a href="#">XVNNW20HL1VA</a>	22	1" -11,5 NPT	25,0	39,0	46,5	22	36	PN 160
<a href="#">XVNNW20HL11/4VA</a>	22	1.1/4" -11,5 NPT	25,6	41,5	49,0	22	46	PN 160
<a href="#">XVNNW25HL1/2VA</a>	28	1/2" -14 NPT	20,0	34,5	42,0	28	41	PN 160
<a href="#">XVNNW25HL3/4VA</a>	28	3/4" -14 NPT	20,2	34,5	42,0	28	41	PN 160

Наименование	Наружный Ø трубы	G	i	L2	L7	Ø d2	SW	Рабочее давление, бар
<a href="#">XVNNW25HLVA</a>	28	1" -11,5 NPT	25,0	39,5	47,0	28	41	PN 160
<a href="#">XVNNW25HL11/4VA</a>	28	1.1/4" -11,5 NPT	25,6	41,5	49,0	28	46	PN 160
<a href="#">XVNNW32HL3/4VA</a>	35	3/4" -14 NPT	20,2	35,0	45,5	35	46	PN 160
<a href="#">XVNNW32HL1VA</a>	35	1" -11,5 NPT	25,0	40,0	50,5	35	46	PN 160
<a href="#">XVNNW32HLVA</a>	35	1.1/4" -11,5 NPT	25,6	40,5	51,0	35	46	PN 160
<a href="#">XVNNW32HL11/2VA</a>	35	1.1/2" -11,5 NPT	26,0	42,5	53,0	35	55	PN 160
<a href="#">XVNNW40HL1VA</a>	42	1" -11,5 NPT	25,0	41,0	52,0	42	55	PN 160
<a href="#">XVNNW40HL11/4VA</a>	42	1.1/4" -11,5 NPT	25,6	41,5	52,5	42	55	PN 160
<a href="#">XVNNW40HLVA</a>	42	1.1/2" -11,5 NPT	26,0	42,0	53,0	42	55	PN 160
<a href="#">XVNNW03HS1/8VA</a>	6	1/8" -27 NPT	10,0	23,0	30,0	6	17	PN 630
<a href="#">XVNNW03HSVA</a>	6	1/4" -18 NPT	15,0	28,0	35,0	6	17	PN 630
<a href="#">XVNNW03HS1/2VA</a>	6	1/2" -14 NPT	20,0	35,0	42,0	6	24	PN 630
<a href="#">XVNNW03HS3/8VA</a>	6	3/8" -18 NPT	15,3	28,0	35,0	6	19	PN 630
<a href="#">XVNNW04HS1/8VA</a>	8	1/8" -27 NPT	10,0	23,0	30,0	8	17	PN 630
<a href="#">XVNNW04HS3/8VA</a>	8	3/8" -18 NPT	15,3	28,0	35,0	8	19	PN 630
<a href="#">XVNNW04HSVA</a>	8	1/4" -18 NPT	15,0	28,0	35,0	8	17	PN 630
<a href="#">XVNNW04HS1/2VA</a>	8	1/2" -14 NPT	20,0	35,0	42,0	8	24	PN 630
<a href="#">XVNNW06HS1/8VA</a>	10	1/8" -27 NPT	10,0	22,5	30,0	10	19	PN 630
<a href="#">XVNNW06HS1/4VA</a>	10	1/4" -18 NPT	15,0	27,5	35,0	10	19	PN 630
<a href="#">XVNNW06HSVA</a>	10	3/8" -18 NPT	15,3	27,5	35,0	10	19	PN 630
<a href="#">XVNNW06HS1/2VA</a>	10	1/2" -14 NPT	20,0	34,5	42,0	10	24	PN 400
<a href="#">XVNNW06HS3/4VA</a>	10	3/4" -14 NPT	20,2	36,5	44,0	10	32	PN 630
<a href="#">XVNNW08HS1/4VA</a>	12	1/4" -18 NPT	15,0	29,0	36,5	12	22	PN 630
<a href="#">XVNNW08HS3/4VA</a>	12	3/4" -14 NPT	20,0	36,5	44,0	12	32	PN 630
<a href="#">XVNNW08HSVA</a>	12	3/8" -18 NPT	15,3	29,5	37,0	12	22	PN 630
<a href="#">XVNNW08HS1/2VA</a>	12	1/2" -14 NPT	20,0	34,5	42,0	12	24	PN 630
<a href="#">XVNNW10HS3/8VA</a>	14	3/8" -18 NPT	15,3	31,5	39,5	14	24	PN 630
<a href="#">XVNNW10HSVA</a>	14	1/2" -14 NPT	20,0	36,0	44,0	14	24	PN 630
<a href="#">XVNNW10HS3/4VA</a>	14	3/4" -14 NPT	20,2	38,0	46,0	14	32	PN 630
<a href="#">XVNNW10HS1VA</a>	14	1" -11,5 NPT	25,0	45,0	53,0	14	41	PN 630
<a href="#">XVNNW13HSVA</a>	16	1/2" -14 NPT	20,0	35,5	44,0	16	27	PN 400
<a href="#">XVNNW13HS3/8VA</a>	16	3/8" -18 NPT	15,3	31,0	39,5	16	27	PN 400
<a href="#">XVNNW13HS3/4VA</a>	16	3/4" -14 NPT	20,2	37,5	46,0	16	32	PN 400
<a href="#">XVNNW13HS1VA</a>	16	1" -11,5 NPT	25,0	44,5	53,0	16	41	PN 400
<a href="#">XVNNW16HS3/8VA</a>	20	3/8" -18 NPT	15,3	33,0	43,5	20	32	PN 400
<a href="#">XVNNW16HS1/2VA</a>	20	1/2" -14 NPT	20,0	37,5	48,0	20	32	PN 400
<a href="#">XVNNW16HSVA</a>	20	3/4" -14 NPT	20,2	37,5	48,0	20	32	PN 400
<a href="#">XVNNW16HS1VA</a>	20	1" -11,5 NPT	25,0	44,5	55,0	20	41	PN 400
<a href="#">XVNNW16HS11/4VA</a>	20	1.1/4" -11,5 NPT	25,6	45,5	56,0	20	46	PN 400
<a href="#">XVNNW20HS3/4VA</a>	25	3/4" -14 NPT	20,2	40,0	52,0	25	41	PN 400
<a href="#">XVNNW20HSVA</a>	25	1" -11,5 NPT	25,0	45,0	57,0	25	41	PN 400
<a href="#">XVNNW20HS1/2VA</a>	25	1/2" -14 NPT	20,0	40,0	52,0	25	41	PN 400
<a href="#">XVNNW20HS11/4VA</a>	25	1.1/4" -11,5 NPT	25,6	46,0	58,0	25	46	PN 400
<a href="#">XVNNW20HS11/2VA</a>	25	1.1/2" -11,5 NPT	26,0	49,0	61,0	25	55	PN 400
<a href="#">XVNNW25HSVA</a>	30	1.1/4" -11,5 NPT	25,6	46,5	60,0	30	46	PN 400
<a href="#">XVNNW25HS3/4VA</a>	30	3/4" -14 NPT	20,2	41,0	54,5	30	46	PN 400
<a href="#">XVNNW25HS1VA</a>	30	1" -11,5 NPT	25,0	46,0	59,5	30	46	PN 400
<a href="#">XVNNW25HS11/2VA</a>	30	1.1/2" -11,5 NPT	26,0	49,5	63,0	30	55	PN 400
<a href="#">XVNNW32HS1VA</a>	38	1" -11,5 NPT	25,0	48,0	64,0	38	55	PN 315
<a href="#">XVNNW32HSVA</a>	38	1.1/2" -11,5 NPT	26,0	49,0	65,0	38	55	PN 315
<a href="#">XVNNW32HS11/4VA</a>	38	1.1/4" -11,5 NPT	25,6	48,5	64,5	38	55	PN 315

Серия: LL = очень легкая; L = легкая; S = тяжелая

PN = Номинальное давление (бар)

Ø d2 = наружный диаметр трубы

SW = размер под ключ