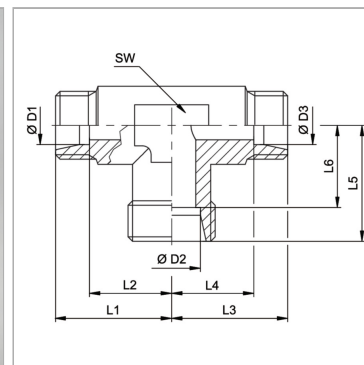


### Характеристики

<b>Форма уплотнения 1 - 3</b>	Внутренний конус 24°
<b>Соединение 1 - 3</b>	Метрическая наружная резьба, цилиндрическая
<b>Модель</b>	Редукционное резьбовое соединение
<b>Конструкция</b>	Т-образная форма
<b>Норма</b>	ISO 8434-1
<b>Материал</b>	нержавеющая сталь



### Указания

Указания по монтажу, установке, нагрузке давлением и допустимым рабочим температурам представлены в технической информации для резьбовых трубных соединений.

### Комплект поставки

Штуцер (без накидной гайки и режущего кольца)

### Артикул

Наименование	D1	D2	D3	L1	L2	L3	L4	L5	L6	SW	Рабочее давление, бар
<a href="#">XRTNW040604HLVA</a>	6	8	6	21,0	14,0	21,0	14,0	21,0	14,0	14	PN 400
<a href="#">XRTNW040804HLVA</a>	6	10	6	22,0	15,0	22,0	15,0	22,0	15,0	14	PN 400
<a href="#">XRTNW060406HLVA</a>	8	6	8	21,0	14,0	21,0	14,0	21,0	14,0	14	PN 400
<a href="#">XRTNW060806HLVA</a>	8	10	8	22,0	15,0	22,0	15,0	22,0	15,0	14	PN 400
<a href="#">XRTNW061006HLVA</a>	8	12	8	24,0	17,0	24,0	17,0	24,0	17,0	17	PN 400
<a href="#">XRTNW080408HLVA</a>	10	6	10	22,0	15,0	22,0	15,0	22,0	15,0	14	PN 400
<a href="#">XRTNW080608HLVA</a>	10	8	10	22,0	15,0	22,0	15,0	22,0	15,0	14	PN 400
<a href="#">XRTNW080804HLVA</a>	10	10	6	22,0	15,0	22,0	15,0	22,0	15,0	14	PN 400
<a href="#">XRTNW081008HLVA</a>	10	12	10	24,0	17,0	24,0	17,0	24,0	17,0	19	PN 400
<a href="#">XRTNW081308HLVA</a>	10	15	10	28,0	21,0	28,0	21,0	28,0	21,0	19	PN 400
<a href="#">XRTNW100410HLVA</a>	12	6	12	24,0	17,0	24,0	17,0	24,0	17,0	17	PN 400
<a href="#">XRTNW100606HLVA</a>	12	8	8	24,0	17,0	24,0	17,0	24,0	17,0	17	PN 400
<a href="#">XRTNW100610HLVA</a>	12	8	12	24,0	17,0	24,0	17,0	24,0	17,0	17	PN 400
<a href="#">XRTNW100808HLVA</a>	12	10	10	24,0	17,0	24,0	17,0	24,0	17,0	17	PN 400
<a href="#">XRTNW100810HLVA</a>	12	10	12	24,0	17,0	24,0	17,0	24,0	17,0	17	PN 400
<a href="#">XRTNW101008HLVA</a>	12	12	10	24,0	17,0	24,0	17,0	24,0	17,0	17	PN 400
<a href="#">XRTNW101310HLVA</a>	12	15	12	28,0	21,0	28,0	21,0	28,0	21,0	19	PN 400
<a href="#">XRTNW101610HLVA</a>	12	18	12	31,0	24,0	31,0	24,0	31,0	23,5	24	PN 315
<a href="#">XRTNW130413HLVA</a>	15	6	15	28,0	21,0	28,0	21,0	28,0	21,0	19	PN 400
<a href="#">XRTNW130613HLVA</a>	15	8	15	28,0	21,0	28,0	21,0	28,0	21,0	19	PN 400
<a href="#">XRTNW130813HLVA</a>	15	10	15	28,0	21,0	28,0	21,0	28,0	21,0	19	PN 400
<a href="#">XRTNW131010HLVA</a>	15	12	12	28,0	21,0	28,0	21,0	28,0	21,0	19	PN 400
<a href="#">XRTNW131013HLVA</a>	15	12	15	28,0	21,0	28,0	21,0	28,0	21,0	19	PN 400
<a href="#">XRTNW131310HLVA</a>	15	15	12	28,0	21,0	28,0	21,0	28,0	21,0	19	PN 400
<a href="#">XRTNW160616HLVA</a>	18	8	18	31,0	23,5	31,0	23,5	31,0	24,0	24	PN 315
<a href="#">XRTNW160808HLVA</a>	18	10	10	31,0	23,5	31,0	24,0	31,0	24,0	24	PN 315
<a href="#">XRTNW160816HLVA</a>	18	10	18	31,0	23,5	31,0	23,5	31,0	24,0	24	PN 315
<a href="#">XRTNW161016HLVA</a>	18	12	18	31,0	23,5	31,0	23,5	31,0	24,0	24	PN 315
<a href="#">XRTNW161316HLVA</a>	18	15	18	31,0	23,5	31,0	23,5	31,0	24,0	24	PN 315
<a href="#">XRTNW161608HLVA</a>	18	18	10	31,0	23,5	31,0	24,0	31,0	23,5	24	PN 315
<a href="#">XRTNW200820HLVA</a>	22	10	22	35,0	27,5	35,0	27,5	35,0	28,0	27	PN 315
<a href="#">XRTNW201020HLVA</a>	22	12	22	35,0	27,5	35,0	27,5	35,0	28,0	27	PN 315
<a href="#">XRTNW201313HLVA</a>	22	15	15	35,0	27,5	35,0	28,0	35,0	28,0	27	PN 315
<a href="#">XRTNW201320HLVA</a>	22	15	22	35,0	27,5	35,0	27,5	35,0	28,0	27	PN 315
<a href="#">XRTNW201616HLVA</a>	22	18	18	35,0	27,5	35,0	27,5	35,0	27,5	27	PN 315
<a href="#">XRTNW201620HLVA</a>	22	18	22	35,0	27,5	35,0	27,5	35,0	27,5	27	PN 315
<a href="#">XRTNW202016HLVA</a>	22	22	18	35,0	27,5	35,0	27,5	35,0	27,5	27	PN 315
<a href="#">XRTNW250825HLVA</a>	28	10	28	38,0	30,5	38,0	30,5	38,0	31,0	36	PN 250
<a href="#">XRTNW251025HLVA</a>	28	12	28	38,0	30,5	38,0	30,5	38,0	31,0	36	PN 250
<a href="#">XRTNW251325HLVA</a>	28	15	28	38,0	30,5	38,0	30,5	38,0	31,0	36	PN 250

Наименование	D1	D2	D3	L1	L2	L3	L4	L5	L6	SW	Рабочее давление, бар
<a href="#">XRTNW251625HLVA</a>	28	18	28	38,0	30,5	38,0	30,5	38,0	30,5	36	PN 250
<a href="#">XRTNW252020HLVA</a>	28	22	22	38,0	30,5	38,0	30,5	38,0	30,5	36	PN 250
<a href="#">XRTNW252025HLVA</a>	28	22	28	38,0	30,5	38,0	30,5	38,0	30,5	36	PN 250
<a href="#">XRTNW321032HLVA</a>	35	12	35	45,0	34,5	45,0	34,5	45,0	38,0	41	PN 160
<a href="#">XRTNW322032HLVA</a>	35	22	35	45,0	34,5	45,0	34,5	45,0	37,5	41	PN 250
<a href="#">XRTNW322532HLVA</a>	35	28	35	45,0	34,5	45,0	34,5	45,0	37,5	41	PN 250
<a href="#">XRTNW401640HLVA</a>	42	18	42	51,0	40,0	51,0	40,0	51,0	43,5	50	PN 160
<a href="#">XRTNW402040HLVA</a>	42	22	42	51,0	40,0	51,0	40,0	40,0	48,0	50	PN 160
<a href="#">XRTNW402540HLVA</a>	42	28	42	51,0	40,0	51,0	40,0	49,0	41,5	50	PN 160
<a href="#">XRTNW060306HSVA</a>	10	6	10	25,0	17,5	25,0	17,5	25,0	18,0	17	PN 630
<a href="#">XRTNW080308HSVA</a>	12	6	12	24,5	17,0	24,5	17,0	24,0	17,0	17	PN 630
<a href="#">XRTNW080404HSVA</a>	12	8	8	29,0	21,5	29,0	22,0	29,0	22,0	17	PN 630
<a href="#">XRTNW080408HSVA</a>	12	8	12	29,0	21,5	29,0	21,5	29,0	22,0	17	PN 630
<a href="#">XRTNW080608HSVA</a>	12	10	12	29,0	21,5	29,0	21,5	29,0	21,5	17	PN 630
<a href="#">XRTNW081308HSVA</a>	12	16	12	33,0	25,5	33,0	25,5	33,0	24,5	24	PN 400
<a href="#">XRTNW100610HSVA</a>	14	10	14	30,0	22,0	30,0	22,0	30,0	22,5	19	PN 630
<a href="#">XRTNW130313HSVA</a>	16	6	16	33,0	24,5	33,0	24,5	33,0	26,0	24	PN 400
<a href="#">XRTNW130413HSVA</a>	16	8	16	33,0	24,5	33,0	24,5	33,0	26,0	24	PN 400
<a href="#">XRTNW130613HSVA</a>	16	10	16	33,0	24,5	33,0	24,5	33,0	25,5	24	PN 400
<a href="#">XRTNW130813HSVA</a>	16	12	16	33,0	24,5	33,0	24,5	33,0	25,5	24	PN 400
<a href="#">XRTNW131613HSVA</a>	16	20	16	37,0	28,5	37,0	28,5	37,0	26,5	27	PN 400
<a href="#">XRTNW160616HSVA</a>	20	10	20	37,0	26,5	37,0	26,5	37,0	29,5	27	PN 400
<a href="#">XRTNW160816HSVA</a>	20	12	20	37,0	26,5	37,0	26,5	37,0	29,5	27	PN 400
<a href="#">XRTNW161016HSVA</a>	20	14	20	37,0	26,5	37,0	26,5	37,5	29,5	27	PN 400
<a href="#">XRTNW161316HSVA</a>	20	16	20	37,0	26,5	37,0	26,5	37,0	28,5	27	PN 400
<a href="#">XRTNW162016HSVA</a>	20	25	20	42,0	31,5	42,0	31,5	42,0	30,0	36	PN 400
<a href="#">XRTNW200620HSVA</a>	25	10	25	42,0	30,0	42,0	30,0	42,5	35,0	36	PN 400
<a href="#">XRTNW201320HSVA</a>	25	16	25	42,0	30,0	42,0	30,0	42,0	33,5	36	PN 400
<a href="#">XRTNW201620HSVA</a>	25	20	25	42,0	30,0	42,0	30,0	42,0	31,5	36	PN 400
<a href="#">XRTNW202520HSVA</a>	25	30	25	49,0	37,0	49,0	37,0	49,0	35,5	41	PN 400
<a href="#">XRTNW251325HSVA</a>	30	16	30	49,0	35,5	49,0	35,5	49,0	40,5	41	PN 400
<a href="#">XRTNW251625HSVA</a>	30	20	30	49,0	35,5	49,0	35,5	49,0	38,5	41	PN 400
<a href="#">XRTNW252025HSVA</a>	30	25	30	49,0	35,5	49,0	35,5	49,0	37,0	41	PN 400
<a href="#">XRTNW322032HSVA</a>	38	25	38	57,0	41,0	57,0	41,0	57,0	45,0	50	PN 315
<a href="#">XRTNW322532HSVA</a>	38	30	38	57,0	41,0	57,0	41,0	57,0	43,5	50	PN 315

Серия: LL = очень легкая; L = легкая; S = тяжелая

PN = Номинальное давление (бар)

D1, D2, D3 = наружный диаметр трубы

SW = размер под ключ