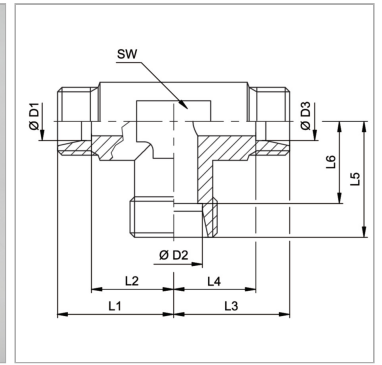


Характеристики

Форма уплотнения 1 - 3	Внутренний конус 24°
Соединение 1 - 3	Метрическая наружная резьба, цилиндрическая
Модель	Редукционное резьбовое соединение
Конструкция	Т-образная форма
Норма	ISO 8434-1
Материал	Сталь
Защита поверхности	Гальваническое покрытие



Указания

Указания по монтажу, установке, нагрузке давлением и допустимым рабочим температурам представлены в технической информации для резьбовых трубных соединений.

Комплект поставки

Штуцер (без накидной гайки и режущего кольца)

Артикул

Наименование	D1	D2	D3	L1	L2	L3	L4	L5	L6	SW	Рабочее давление, бар
XRT040804LL	4	8	4	17,0	13,0	17,0	13,0	17,0	11,5	12	PN 100
XRT060406LL	6	4	6	15,0	9,5	15,0	9,5	15,0	11,0	11	PN 100
XRTNW040604HL	6	8	6	21,0	14,0	21,0	14,0	21,0	14,0	12	PN 315
XRTNW040804HL	6	10	6	22,0	15,0	22,0	15,0	22,0	15,0	14	PN 315
XRTNW060406HL	8	6	8	29,0	14,0	21,0	14,0	21,0	21,0	12	PN 315
XRTNW060604HL	8	8	6	21,0	14,0	21,0	14,0	21,0	14,0	14	PN 315
XRTNW060806HL	8	10	8	22,0	15,0	22,0	15,0	22,0	15,0	14	PN 315
XRTNW061006HL	8	12	8	24,0	17,0	24,0	17,0	24,0	17,0	17	PN 315
XRTNW061306HL	8	15	8	21,0	14,0	21,0	14,0	21,0	14,0	19	PN 315
XRTNW080408HL	10	6	10	22,0	15,0	22,0	15,0	22,0	15,0	14	PN 315
XRTNW080606HL	10	8	8	22,0	15,0	22,0	15,0	22,0	15,0	17	PN 315
XRTNW080608HL	10	8	10	22,0	15,0	22,0	15,0	22,0	15,0	14	PN 315
XRTNW080804HL	10	10	6	22,0	15,0	22,0	15,0	22,0	15,0	14	PN 315
XRTNW081008HL	10	12	10	24,0	17,0	24,0	17,0	24,0	17,0	19	PN 315
XRTNW081308HL	10	15	10	28,0	21,0	28,0	21,0	28,0	21,0	19	PN 315
XRTNW100410HL	12	6	12	24,0	17,0	24,0	17,0	24,0	17,0	17	PN 315
XRTNW100606HL	12	8	8	24,0	17,0	24,0	17,0	24,0	17,0	17	PN 315
XRTNW100610HL	12	8	12	24,0	17,0	24,0	17,0	24,0	17,0	17	PN 315
XRTNW100808HL	12	10	10	24,0	17,0	24,0	17,0	24,0	17,0	17	PN 315
XRTNW100810HL	12	10	12	24,0	17,0	24,0	17,0	24,0	17,0	17	PN 315
XRTNW101006HL	12	12	8	24,0	17,0	24,0	17,0	24,0	17,0	19	PN 315
XRTNW101008HL	12	12	10	24,0	17,0	24,0	17,0	24,0	17,0	17	PN 315
XRTNW101310HL	12	15	12	28,0	21,0	28,0	21,0	28,0	21,0	19	PN 315
XRTNW101610HL	12	18	12	31,0	24,0	31,0	24,0	31,0	23,5	24	PN 315
XRTNW102010HL	12	22	12	35,0	28,0	35,0	28,0	35,0	27,5	27	PN 160
XRTNW130413HL	15	6	15	28,0	21,0	28,0	21,0	28,0	21,0	19	PN 315
XRTNW130606HL	15	8	8	28,0	21,0	28,0	21,0	28,0	21,0	19	PN 315
XRTNW130613HL	15	8	15	28,0	21,0	28,0	21,0	28,0	21,0	19	PN 315
XRTNW130806HL	15	10	8	28,0	21,0	28,0	21,0	28,0	21,0	19	PN 315
XRTNW130808HL	15	10	10	28,0	21,0	28,0	21,0	28,0	21,0	19	PN 315
XRTNW130813HL	15	10	15	28,0	21,0	28,0	21,0	28,0	21,0	19	PN 315
XRTNW131010HL	15	12	12	28,0	21,0	28,0	21,0	28,0	21,0	19	PN 315
XRTNW131013HL	15	12	15	28,0	21,0	28,0	21,0	28,0	21,0	19	PN 315
XRTNW131308HL	15	15	10	28,0	21,0	28,0	21,0	28,0	21,0	19	PN 315
XRTNW131310HL	15	15	12	28,0	21,0	28,0	21,0	28,0	21,0	19	PN 315
XRTNW131613HL	15	18	15	31,0	24,0	31,0	24,0	31,0	23,5	24	PN 315
XRTNW132010HL	15	22	12	35,0	28,0	35,0	28,0	35,0	27,5	27	PN 160
XRTNW160606HL	18	8	8	31,5	24,0	31,0	24,0	30,5	23,5	24	PN 315
XRTNW160616HL	18	8	18	31,0	23,5	31,0	23,5	31,0	24,0	24	PN 315
XRTNW160808HL	18	10	10	31,0	23,5	31,0	24,0	31,0	24,0	24	PN 315

Наименование	D1	D2	D3	L1	L2	L3	L4	L5	L6	SW	Рабочее давление, бар
XRTNW160816HL	18	10	18	31,0	23,5	31,0	23,5	31,0	24,0	24	PN 315
XRTNW161010HL	18	12	12	31,0	23,5	31,0	24,0	31,0	24,0	24	PN 315
XRTNW161016HL	18	12	18	31,0	23,5	31,0	23,5	31,0	24,0	24	PN 315
XRTNW161316HL	18	15	18	31,0	23,5	31,0	23,5	31,0	24,0	24	PN 315
XRTNW161606HL	18	18	8	31,0	23,5	30,5	23,5	31,0	23,5	24	PN 315
XRTNW161608HL	18	18	10	31,0	23,5	31,0	24,0	31,0	23,5	24	PN 315
XRTNW161610HL	18	18	12	31,0	23,5	30,5	23,5	31,5	24,0	24	PN 315
XRTNW200820HL	22	10	22	35,0	27,5	35,0	27,5	35,0	28,0	27	PN 160
XRTNW201020HL	22	12	22	35,0	27,5	35,0	27,5	35,0	28,0	27	PN 160
XRTNW201313HL	22	15	15	35,0	27,5	35,0	28,0	35,0	28,0	27	PN 160
XRTNW201320HL	22	15	22	35,0	27,5	35,0	27,5	35,0	28,0	27	PN 160
XRTNW201616HL	22	18	18	35,0	27,5	35,0	27,5	35,0	27,5	27	PN 160
XRTNW201620HL	22	18	22	35,0	27,5	35,0	27,5	35,0	27,5	27	PN 160
XRTNW202016HL	22	22	18	35,0	27,5	35,0	27,5	35,0	27,5	27	PN 160
XRTNW202520HL	22	28	22	38,0	30,5	38,0	30,5	38,0	30,5	36	PN 160
XRTNW250825HL	28	10	28	38,0	30,5	38,0	30,5	38,0	31,0	36	PN 160
XRTNW251025HL	28	12	28	38,0	30,5	38,0	30,5	38,0	31,0	36	PN 160
XRTNW251325HL	28	15	28	38,0	30,5	38,0	30,5	38,0	31,0	36	PN 160
XRTNW251625HL	28	18	28	38,0	30,5	38,0	30,5	38,0	30,5	36	PN 160
XRTNW252020HL	28	22	22	38,0	30,5	38,0	30,5	38,0	30,5	36	PN 160
XRTNW252025HL	28	22	28	38,0	30,5	38,0	30,5	38,0	30,5	36	PN 160
XRTNW252520HL	28	28	22	38,0	30,5	38,0	30,5	38,0	30,5	36	PN 160
XRTNW322032HL	35	22	35	45,0	34,5	45,0	34,5	45,0	37,5	41	PN 160
XRTNW322525HL	35	28	28	45,0	34,5	45,0	37,5	45,0	37,5	41	PN 160
XRTNW322532HL	35	28	35	45,0	34,5	45,0	34,5	45,0	37,5	41	PN 160
XRTNW16HL16HS	20	18	20	37,0	26,5	37,0	26,5	37,0	29,5	27	PN 315
XRTNW040304HS	8	6	8	20,0	13,0	19,0	12,0	20,0	13,0	12	PN 630
XRTNW060306HS	10	6	10	25,0	17,5	25,0	17,5	25,0	18,0	17	PN 630
XRTNW080308HS	12	6	12	24,5	17,0	24,5	17,0	24,0	17,0	17	PN 630
XRTNW080404HS	12	8	8	29,0	21,5	29,0	22,0	29,0	22,0	17	PN 630
XRTNW080408HS	12	8	12	29,0	21,5	29,0	21,5	29,0	22,0	17	PN 630
XRTNW080608HS	12	10	12	29,0	21,5	29,0	21,5	29,0	21,5	17	PN 630
XRTNW081308HS	12	16	12	33,0	25,5	33,0	25,5	33,0	24,5	24	PN 630
XRTNW100610HS	14	10	14	30,0	22,0	30,0	22,0	30,0	22,5	19	PN 630
XRTNW130313HS	16	6	16	33,0	24,5	33,0	24,5	33,0	26,0	24	PN 400
XRTNW130413HS	16	8	16	33,0	24,5	33,0	24,5	33,0	26,0	24	PN 400
XRTNW130613HS	16	10	16	33,0	24,5	33,0	24,5	33,0	25,5	24	PN 400
XRTNW130813HS	16	12	16	33,0	24,5	33,0	24,5	33,0	25,5	24	PN 400
XRTNW131613HS	16	20	16	37,0	28,5	37,0	28,5	37,0	26,5	27	PN 400
XRTNW160616HS	20	10	20	37,0	26,5	37,0	26,5	37,0	29,5	27	PN 400
XRTNW160816HS	20	12	20	37,0	26,5	37,0	26,5	37,0	29,5	27	PN 400
XRTNW161016HS	20	14	20	37,0	26,5	37,0	26,5	37,0	29,5	27	PN 400
XRTNW161316HS	20	16	20	37,0	26,5	37,0	26,5	37,0	28,5	27	PN 400
XRTNW161620HS	20	20	25	39,0	28,5	40,5	28,5	37,0	28,5	36	PN 400
XRTNW162016HS	20	25	20	42,0	31,5	42,0	31,5	42,0	30,0	36	PN 400
XRTNW201320HS	25	16	25	42,0	30,0	42,0	30,0	42,0	33,5	36	PN 400
XRTNW201620HS	25	20	25	42,0	30,0	42,0	30,0	42,0	31,5	36	PN 400
XRTNW202520HS	25	30	25	49,0	37,0	49,0	37,0	49,0	35,5	41	PN 400
XRTNW251325HS	30	16	30	49,0	35,5	49,0	35,5	49,0	40,5	41	PN 400
XRTNW251625HS	30	20	30	49,0	35,5	49,0	35,5	49,0	38,5	41	PN 400
XRTNW252025HS	30	25	30	49,0	35,5	49,0	35,5	49,0	37,0	41	PN 400

Серия: LL = очень легкая; L = легкая; S = тяжелая

PN = Номинальное давление (бар)

D1, D2, D3 = наружный диаметр трубы

SW = размер под ключ