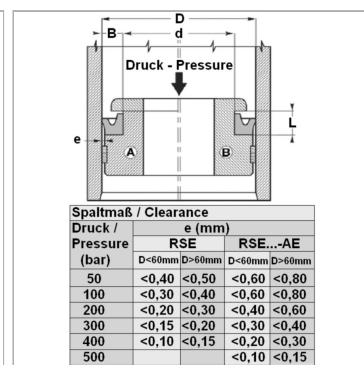


Характеристики

| | |
|----------------------------------|---|
| Модель | U-образное уплотнение для поршня |
| Рабочее давление | 400 bar |
| Скорость скольжения макс. | 0.5 m/s |
| Температура макс. | 80 °C |
| Температура min. | -30 °C |
| Рабочие среды | Минеральное масло |
| Монтаж | на моноблочных поршнях A на многоблочных поршнях B |
| Материал | (2) уплотнение: Полиуретан |
| Применение | Гидравлика |



Указания

Поршневые уплотнения не предназначены для поршней двойного действия. Пожалуйста, обращайтесь к нам.

Описание

высокая стойкость к истираниюхорошая герметичностьПростое решение.

Артикул

| Наименование | D | d | L | M |
|---------------------------|------|------|------|----|
| RSE1205 | 12,0 | 5,0 | 6,0 | 8 |
| RSE1408 | 14,0 | 8,0 | 6,8 | 11 |
| RSE1610-1 | 16,0 | 10,0 | 6,5 | 13 |
| RSE1610 | 16,0 | 10,0 | 9,0 | 13 |
| RSE2012 | 20,0 | 12,0 | 7,5 | 15 |
| RSE2014 | 20,0 | 14,0 | 6,0 | 17 |
| RSE2212 | 22,0 | 12,0 | 9,0 | 16 |
| RSE2515 | 25,0 | 15,0 | 9,0 | 19 |
| RSE3015 | 30,0 | 15,0 | 11,0 | 19 |
| RSE3020 | 30,0 | 20,0 | 9,0 | 24 |
| RSE3022 | 30,0 | 22,0 | 7,0 | 25 |
| RSE3222 | 32,0 | 22,0 | 11,0 | 26 |
| RSE3226 | 32,0 | 26,0 | 6,0 | 28 |
| RSE3520 | 35,0 | 20,0 | 11,0 | 25 |
| RSE3525 | 35,0 | 25,0 | 9,0 | 29 |
| RSE3721 | 37,0 | 21,0 | 13,0 | 25 |
| RSE4025-1 | 40,0 | 25,0 | 10,0 | 30 |
| RSE4025 | 40,0 | 25,0 | 11,0 | 30 |
| RSE4030-1 | 40,0 | 30,0 | 7,5 | 34 |
| RSE4030 | 40,0 | 30,0 | 11,0 | 34 |
| RSE4032-2 | 40,0 | 32,0 | 6,5 | 36 |
| RSE4032 | 40,0 | 32,0 | 9,0 | 36 |
| RSE4033 | 40,0 | 33,0 | 9,0 | 36 |
| RSE4232 | 42,0 | 32,0 | 11,0 | 36 |
| RSE4235 | 42,0 | 34,5 | 4,7 | 37 |
| RSE4529 | 45,0 | 38,5 | 13,0 | 33 |
| RSE4530 | 45,0 | 30,0 | 11,0 | 35 |
| RSE5030 | 50,0 | 30,0 | 13,0 | 35 |
| RSE5032 | 50,0 | 32,0 | 11,0 | 35 |
| RSE5035-1 | 50,0 | 35,0 | 9,5 | 40 |
| RSE5035 | 50,0 | 35,0 | 11,0 | 40 |
| RSE5040-1 | 50,0 | 40,0 | 5,5 | 44 |
| RSE5040 | 50,0 | 40,0 | 11,0 | 44 |
| RSE5042-2 | 50,0 | 42,0 | 6,0 | 45 |
| RSE5042-1 | 50,0 | 42,0 | 9,0 | 45 |
| RSE5042 | 50,0 | 42,0 | 11,0 | 45 |
| RSE5141 | 50,8 | 40,8 | 8,0 | 45 |

| Наименование | D | d | L | M |
|-----------------------------|-------|-------|------|-----|
| RSE5540 | 55,0 | 40,0 | 11,0 | 45 |
| RSE6040 | 60,0 | 40,0 | 13,0 | 45 |
| RSE6040-1 | 60,0 | 40,0 | 14,5 | 45 |
| RSE6045 | 60,0 | 45,0 | 11,0 | 50 |
| RSE6050 | 60,0 | 50,0 | 8,0 | 54 |
| RSE6050-2 | 60,0 | 50,0 | 11,0 | 54 |
| RSE6052 | 60,0 | 52,0 | 9,0 | 55 |
| RSE6343 | 63,0 | 43,0 | 13,0 | 47 |
| RSE6345 | 63,0 | 45,0 | 11,0 | 50 |
| RSE6345-2 | 63,0 | 45,0 | 13,0 | 50 |
| RSE6348-1 | 63,0 | 48,0 | 11,0 | 53 |
| RSE6348 | 63,0 | 48,0 | 13,0 | 53 |
| RSE6353 | 63,0 | 53,0 | 8,0 | 57 |
| RSE6353-1 | 63,0 | 53,0 | 13,0 | 57 |
| RSE6545-1 | 65,0 | 45,0 | 13,0 | 50 |
| RSE6545 | 65,0 | 45,0 | 14,5 | 50 |
| RSE6550 | 65,0 | 50,0 | 11,0 | 55 |
| RSE6555-1 | 65,0 | 55,0 | 11,0 | 59 |
| RSE6555 | 65,0 | 55,0 | 14,5 | 59 |
| RSE7050 | 70,0 | 53,0 | 13,0 | 55 |
| RSE7050-1 | 70,0 | 53,0 | 14,5 | 55 |
| RSE7055-1 | 70,0 | 55,0 | 10,5 | 60 |
| RSE7055 | 70,0 | 55,0 | 13,0 | 60 |
| RSE7060 | 70,0 | 60,0 | 8,0 | 64 |
| RSE7060-1 | 70,0 | 60,0 | 13,0 | 64 |
| RSE7060-2 | 70,0 | 60,0 | 14,5 | 64 |
| RSE7062 | 70,0 | 62,0 | 8,5 | 65 |
| RSE7258 | 72,0 | 58,0 | 13,0 | 62 |
| RSE7550 | 75,0 | 50,0 | 15,0 | 55 |
| RSE7555 | 75,0 | 55,0 | 14,5 | 60 |
| RSE7565-4 | 75,0 | 65,0 | 8,0 | 69 |
| RSE7565-2 | 75,0 | 65,0 | 11,0 | 69 |
| RSE7565 | 75,0 | 65,0 | 14,5 | 69 |
| RSE8060 | 80,0 | 60,0 | 13,0 | 65 |
| RSE8060-1 | 80,0 | 60,0 | 14,5 | 65 |
| RSE8065 | 80,0 | 65,0 | 13,0 | 70 |
| RSE8070 | 80,0 | 70,0 | 8,0 | 74 |
| RSE8070-1 | 80,0 | 70,0 | 13,0 | 74 |
| RSE8072 | 80,0 | 72,0 | 13,0 | 75 |
| RSE8565-2 | 85,0 | 65,0 | 13,0 | 70 |
| RSE9070 | 90,0 | 70,0 | 13,0 | 75 |
| RSE9070-1 | 90,0 | 70,0 | 14,5 | 75 |
| RSE9075 | 90,0 | 75,0 | 13,0 | 80 |
| RSE9080-2 | 90,0 | 80,0 | 5,5 | 84 |
| RSE9080-1 | 90,0 | 80,0 | 11,0 | 84 |
| RSE9080 | 90,0 | 80,0 | 14,0 | 84 |
| RSE10080-2 | 100,0 | 80,0 | 11,0 | 85 |
| RSE10080 | 100,0 | 80,0 | 13,0 | 85 |
| RSE10080-1 | 100,0 | 80,0 | 14,5 | 85 |
| RSE10085 | 100,0 | 85,0 | 13,0 | 90 |
| RSE10086 | 100,0 | 86,0 | 13,0 | 90 |
| RSE10090 | 100,0 | 90,0 | 8,0 | 94 |
| RSE10090-1 | 100,0 | 90,0 | 11,5 | 94 |
| RSE11090 | 110,0 | 90,0 | 13,0 | 95 |
| RSE11095 | 110,0 | 95,0 | 13,0 | 100 |
| RSE110100 | 110,0 | 100,0 | 8,0 | 104 |
| RSE110100-1 | 110,0 | 100,0 | 14,5 | 104 |
| RSE115100 | 115,0 | 100,0 | 11,5 | 105 |
| RSE115105 | 115,0 | 105,0 | 14,5 | 109 |
| RSE120100 | 120,0 | 100,0 | 13,0 | 105 |
| RSE120100-1 | 120,0 | 100,0 | 14,5 | 105 |
| RSE125105 | 125,0 | 100,0 | 13,0 | 110 |
| RSE125105-1 | 125,0 | 100,0 | 16,0 | 110 |
| RSE125115 | 125,0 | 115,0 | 8,0 | 119 |
| RSE125115-1 | 125,0 | 115,0 | 16,0 | 119 |
| RSE140120 | 140,0 | 120,0 | 13,0 | 125 |
| RSE150125 | 150,0 | 125,0 | 14,5 | 130 |
| RSE150130 | 150,0 | 130,0 | 16,0 | 135 |
| RSE160140 | 160,0 | 140,0 | 14,5 | 145 |

| Наименование | D | d | L | M |
|---------------------------|-------|-------|------|-----|
| RSE180160 | 180,0 | 160,0 | 14,5 | 165 |
| RSE280250 | 280,0 | 250,0 | 19,0 | 256 |