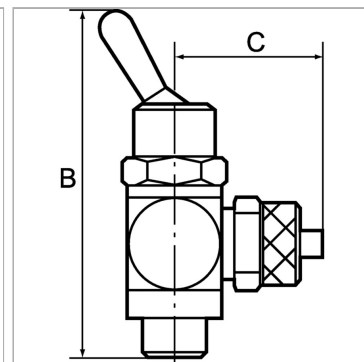


3/2-way toggle valves, discharge port on thread, quick-lock screw fitting

Обновлено: 04.23.24

Характеристики

Рабочее давление	макс. 8 бар
Область температур	0 °C to +70 °C
Резьба на стороне распределительного щита	M 12 x 0.75 (sheet thickness max. 4 mm)
Внутренние детали	Brass with a bare metal surface
Уплотнение	Нитрильный каучук
Полый винт, поворотный рычаг, коромысло	Nickel-plated brass
Уплотнения (неотделимые)	Polyamide (glass fibre-reinforced)



Указания

Прочие данные только по запросу.

Описание

Manually operated toggle valves, 2/2 and 3/2-way types. For all applications where compressed air must be switched on or off quickly and easily or a cylinder operated manually. Designed as a banjo-type valve with a hollow bolt and ring piece. Suitable for screwing directly into the equipment or for panel mounting. Compact type of construction, also ideal where space is restricted.

Артикул

Наименование	B	C	Резьба
K-07150724	55,0	16,0	G 1/8
K-07150725	55,0	25,0	G 1/8
K-07150726	55,0	25,0	G 1/8
K-07150727	55,0	25,0	G 1/8
K-07150720	60,0	22,0	G 1/4
K-07150722	60,0	26,5	G 1/4
K-07150723	60,0	27,5	G 1/4
K-07150721	60,0	28,5	G 1/4