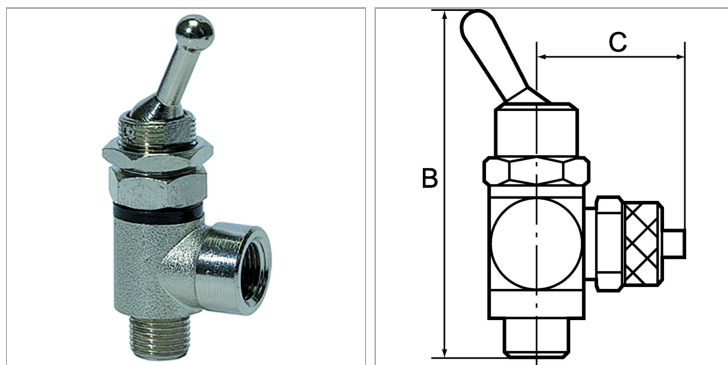


## 2/2-way toggle valves, discharge port on both sides, quick-lock screw fitting

Обновлено: 04.20.24

### Характеристики

<b>Рабочее давление</b>	макс. 8 бар
<b>Область температур</b>	0 °C to +70 °C
<b>Резьба на стороне распределительного щита</b>	M 12 x 0.75 (sheet thickness max. 4 mm)
<b>Внутренние детали</b>	Brass with a bare metal surface
<b>Уплотнение</b>	Нитрильный каучук
<b>Полый винт, поворотный рычаг, коромысло</b>	Nickel-plated brass
<b>Уплотнения (неотделимые)</b>	Polyamide (glass fibre-reinforced)



### Указания

Прочие данные только по запросу.

### Описание

Manually operated toggle valves, 2/2 and 3/2-way types. For all applications where compressed air must be switched on or off quickly and easily or a cylinder operated manually. Designed as a banjo-type valve with a hollow bolt and ring piece. Suitable for screwing directly into the equipment or for panel mounting. Compact type of construction, also ideal where space is restricted.

### Артикул

Наименование	B	C	Резьба
<a href="#">K-07150710</a>	55,0	16,0	G 1/8
<a href="#">K-07150711</a>	55,0	25,0	G 1/8
<a href="#">K-07150712</a>	55,0	25,0	G 1/8
<a href="#">K-07150713</a>	55,0	25,0	G 1/8
<a href="#">K-07150706</a>	60,0	22,0	G 1/4
<a href="#">K-07150708</a>	60,0	26,5	G 1/4
<a href="#">K-07150709</a>	60,0	27,5	G 1/4
<a href="#">K-07150707</a>	60,0	28,5	G 1/4