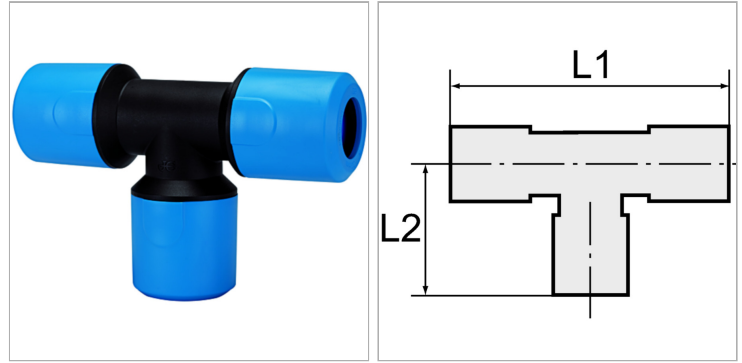


Характеристики

Рабочая температура	Max. +20 °C
Материал	Polypropylene (PP)
Уплотнение	Нитрильный каучук
Рабочее давление	on request



Указания

Прочие данные только по запросу.

Описание

Lightweight, push-in fittings distinguished by high strength, toughness, resistance to abrasion and impact resistance - ideal for a wide range of applications. Plastic and metal tubes are connected together quickly and easily. Suitable for compressed air or liquids, with good resistance to a large number of chemicals.

Артикул

Наименование	L1	L2
K-07402873	199,4	99,7