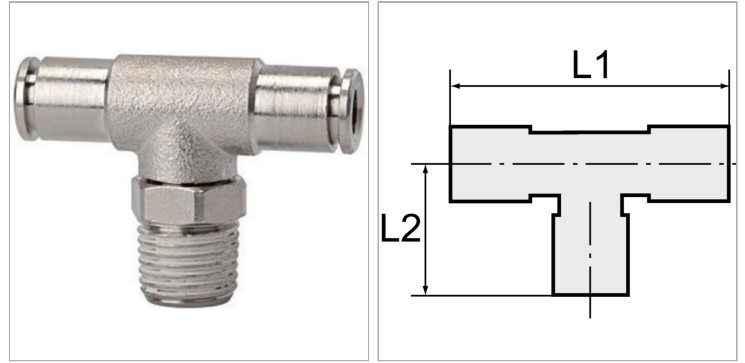


## Male branch tees, swivel type, conical male thread, coated

Обновлено: 05.03.24

### Характеристики

<b>Рабочая температура</b>	-20 °C to +150 °C
<b>Рабочее давление</b>	Max. 16 bar
<b>Материал</b>	Никелированная латунь
<b>Зажимное кольцо</b>	Stainless steel
<b>Прижимное кольцо</b>	Nickel-plated brass



### Указания

Прочие данные только по запросу.

### Описание

Push-in fittings, manufactured entirely in nickel-plated brass. All parts with a parallel thread are supplied with an FPM O-ring.

All parts with conical threads are coated with preCOTE 5 dispersion, all fittings in this series can thus also be used at high temperatures (medium compressed air).

### Артикул

Наименование	Резьба	L1	L2
<a href="#">K-07402818</a>	R 1/8	40,0	20,0
<a href="#">K-07402819</a>	R 1/8	43,0	20,0
<a href="#">K-07402820</a>	R 1/8	47,0	20,0
<a href="#">K-07402816</a>	R 1/4	43,0	25,0
<a href="#">K-07402817</a>	R 1/4	47,0	25,0
<a href="#">K-07402815</a>	R 1/4	53,0	26,0
<a href="#">K-07402821</a>	R 3/8	47,0	28,0
<a href="#">K-07404802</a>	R 3/8	53,0	30,0
<a href="#">K-07404803</a>	R 3/8	58,0	32,5
<a href="#">K-07404801</a>	R 1/2	58,0	35,5