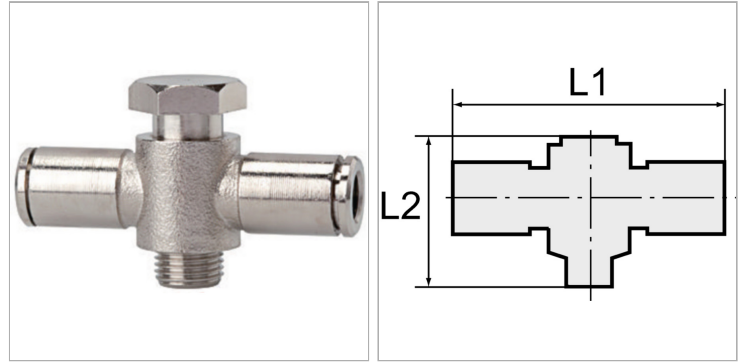


Male branch tees with outer hex, swivel type, parallel male thread with O-ring

Обновлено: 05.02.24

Характеристики

Рабочая температура	-20 °C to +150 °C
Рабочее давление	Max. 16 bar
Материал	Никелированная латунь
Кольцо круглого сечения	FKM (FPM)
Зажимное кольцо	Stainless steel
Прижимное кольцо	Nickel-plated brass



Указания

Прочие данные только по запросу.

Описание

Push-in fittings, manufactured entirely in nickel-plated brass. All parts with a parallel thread are supplied with an FPM O-ring.

All parts with conical threads are coated with preCOTE 5 dispersion, all fittings in this series can thus also be used at high temperatures (medium compressed air).

Артикул

Наименование	Резьба	L1	L2
K-07402804	G 1/8	42,0	28,0
K-07402805	G 1/8	46,0	28,0
K-07402803	G 1/4	48,0	33,0