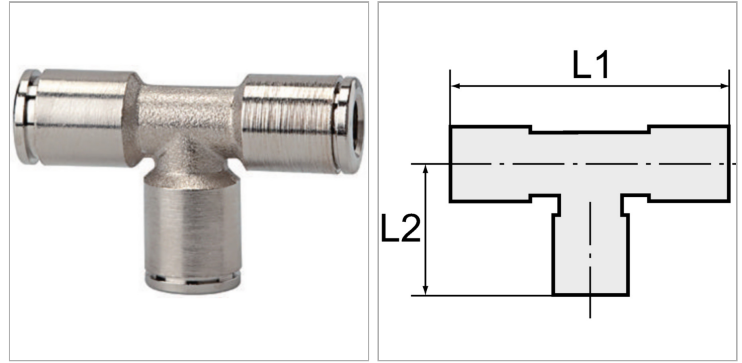


Характеристики

Рабочая температура	-20 °C to +150 °C
Рабочее давление	Max. 16 bar
Материал	Никелированная латунь
Зажимное кольцо	Stainless steel
Прижимное кольцо	Nickel-plated brass



Указания

Прочие данные только по запросу.

Описание

Push-in fittings, manufactured entirely in nickel-plated brass. All parts with a parallel thread are supplied with an FPM O-ring.

All parts with conical threads are coated with preCOTE 5 dispersion, all fittings in this series can thus also be used at high temperatures (medium compressed air).

Артикул

Наименование	L1	L2
K-07402757	34,0	17,0
K-07402758	39,0	19,5
K-07402759	46,0	23,0
K-07402760	50,0	25,0
K-07404781	54,0	27,0
K-07404782	62,0	31,0