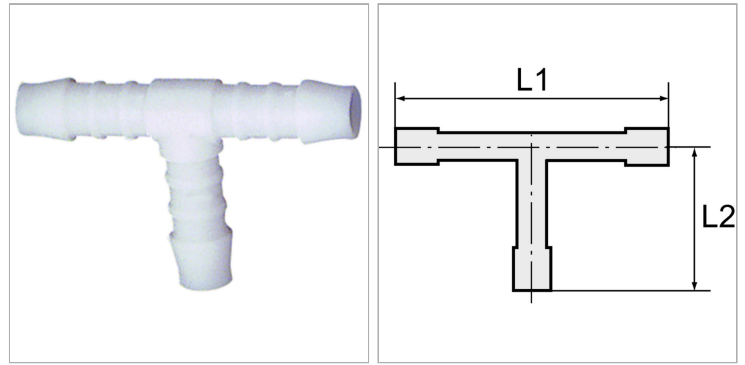


Характеристики

Область температур -40 °C to +90 °C



Указания

Прочие данные только по запросу.

Описание

Lightweight tube connectors distinguished by high strength, toughness, resistance to abrasion and impact resistance. Resistant to: Acetone, benzene, butane, alcohols, diesel fuels, crude oil, natural gas, ethanol, fruit juices, glycerine, fuel oil, hydraulic fluids, aliphatic ketones, carbon dioxide, carbonic acid, engine oils, methanol, propane, liquefied gas, lubricating oils, lubricating greases, town gas, washing liquor and water.

Артикул

Наименование	макс. допустимое избыточное давление	L1	L2
K-07401728	10	25,0	12,5
K-07401729	10	35,0	19,5
K-07401730	10	42,0	22,0
K-07401731	10	50,0	26,0
K-07401732	10	58,0	30,0
K-07401733	10	62,5	33,5
K-07401734	10	69,0	36,0
K-07401735	10	69,0	36,0
K-07401736	10	81,0	45,0
K-07401737	10	85,0	45,0
K-07404658	10	105,0	52,5