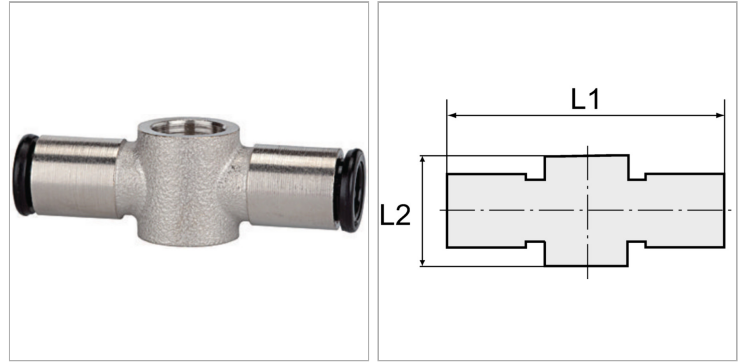


### Характеристики

<b>Рабочая температура</b>	-20 °C to +70°C
<b>Рабочее давление</b>	Max. 16 bar
<b>Материал</b>	Никелированная латунь
<b>Зажимное кольцо</b>	Stainless steel
<b>Прижимное кольцо</b>	Hostaform



### Указания

Прочие данные только по запросу.

### Описание

The advanced version of our highly successful push-in fittings series manufactured in nickel-plated brass. Advantages of this new, optimised series: Much easier connection and disconnection of the hose, even with repeated mounting, can also be used for non-calibrated hoses, suitable for vacuum operation.

### Артикул

Наименование	Для полого винта	L1	L2
<a href="#">K-07402693</a>	M 5	36,0	9,0
<a href="#">K-07402697</a>	G 1/8	42,0	15,0
<a href="#">K-07402698</a>	G 1/8	46,0	15,0
<a href="#">K-07402699</a>	G 1/8	49,0	15,0
<a href="#">K-07402695</a>	G 1/4	48,0	17,0
<a href="#">K-07402696</a>	G 1/4	52,0	17,0
<a href="#">K-07402694</a>	G 1/4	52,0	17,0
<a href="#">K-07402702</a>	G 3/8	54,0	20,0
<a href="#">K-07402700</a>	G 3/8	56,0	20,0
<a href="#">K-07402701</a>	G 3/8	58,0	20,0