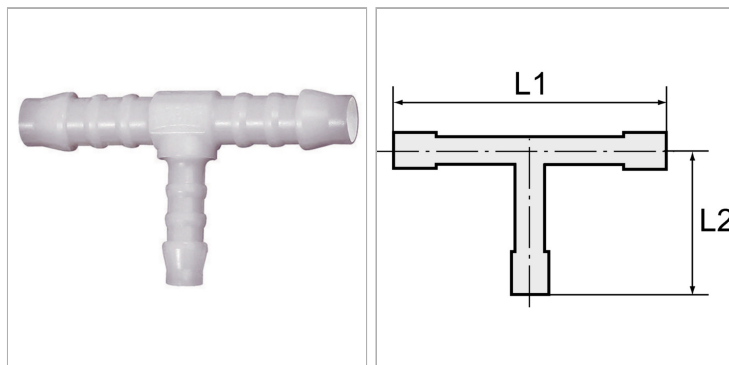


Характеристики

Область температур

-40 °C to +90 °C



Указания

Прочие данные только по запросу.

Описание

Lightweight tube connectors distinguished by high strength, toughness, resistance to abrasion and impact resistance. Resistant to: Acetone, benzene, butane, alcohols, diesel fuels, crude oil, natural gas, ethanol, fruit juices, glycerine, fuel oil, hydraulic fluids, aliphatic ketones, carbon dioxide, carbonic acid, engine oils, methanol, propane, liquefied gas, lubricating oils, lubricating greases, town gas, washing liquor and water.

Артикул

Наименование	макс. допустимое избыточное давление	L1	L2
K-07404659	10	25,0	17,5
K-07404660	10	37,0	24,0
K-07404661	10	49,0	20,5
K-07404662	10	56,0	22,0
K-07404663	10	56,0	28,0
K-07404664	10	62,0	28,0
K-07404665	10	62,0	31,0
K-07404666	10	69,0	29,0
K-07404667	10	69,0	31,0
K-07404668	10	69,0	33,0
K-07404669	10	79,0	36,0
K-07404670	10	80,0	44,0