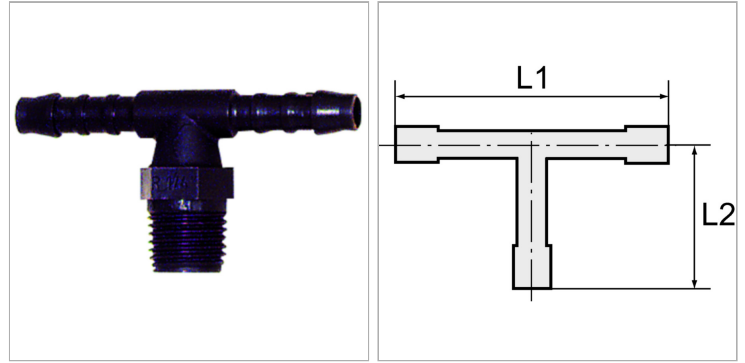


Male stud tees, polyamide, conical male thread acc. to ISO 7-1

Обновлено: 05.02.24

Характеристики

Область температур -40 °C to +90 °C



Указания

Прочие данные только по запросу.

Описание

Lightweight tube connectors distinguished by high strength, toughness, resistance to abrasion and impact resistance. Resistant to: Acetone, benzene, butane, alcohols, diesel fuels, crude oil, natural gas, ethanol, fruit juices, glycerine, fuel oil, hydraulic fluids, aliphatic ketones, carbon dioxide, carbonic acid, engine oils, methanol, propane, liquefied gas, lubricating oils, lubricating greases, town gas, washing liquor and water.

Артикул

Наименование	макс. допустимое избыточное давление	Резьба	L1	L2
K-07401679	10	R 1/8	42,0	18,0
K-07401680	10	R 1/8	57,0	21,0
K-07401681	10	R 1/4	42,0	23,0
K-07401682	10	R 1/4	57,0	26,0
K-07401683	10	R 1/4	66,0	27,5
K-07404653	10	R 3/8	71,0	30,0