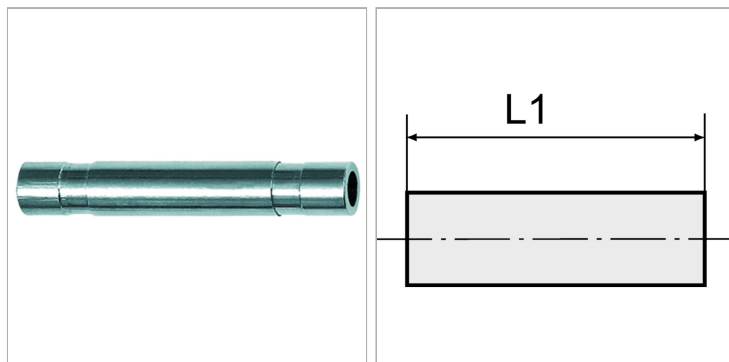


Характеристики

Рабочая температура	-20 °C to +80 °C
Рабочее давление	Max. 16 bar
Материал	Никелированная латунь



Указания

Прочие данные только по запросу.

Описание

The advanced version of our highly successful push-in fittings series manufactured in nickel-plated brass. Advantages of this new, optimised series: Much easier connection and disconnection of the hose, even with repeated mounting, can also be used for non-calibrated hoses, suitable for vacuum operation.

Артикул

Наименование	L1
K-07404753	34,0
K-07404754	34,0
K-07404755	37,5
K-07404756	37,5
K-07404757	45,0
K-07404758	48,0
K-07404759	58,0