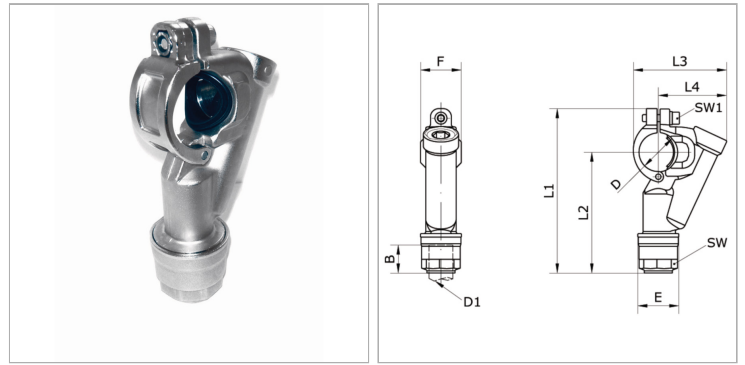


Характеристики

| | |
|----------------------------------|---|
| Расположение | horizontally, vertically |
| Материал | Никелированная латунь |
| Дополнительная информация | Funktionsprinzip: Installation eines zusätzlichen Abgangs ohne Auftrennen der Rohrleitung |



Дополнительная информация

Operating principle: installation of a new connector without opening the pipe system

Артикул

| Наименование | D | B | D1 | E | F | L1 | L2 | L3 | L4 | SW | SW1 |
|----------------------------|----|------|------|------|------|-------|-------|-------|------|----|-----|
| K-07405444 | 32 | 31,5 | 20,0 | 34,5 | 34,0 | 136,5 | 100,5 | 78,0 | 57,0 | 30 | 5 |
| K-07405445 | 32 | 38,5 | 25,0 | 42,5 | 34,0 | 144,5 | 108,5 | 78,0 | 57,0 | 35 | 5 |
| K-07405446 | 40 | 31,5 | 20,0 | 34,5 | 34,0 | 148,5 | 108,0 | 89,5 | 64,0 | 30 | 5 |
| K-07405447 | 40 | 38,5 | 25,0 | 42,5 | 34,0 | 156,5 | 116,0 | 89,5 | 64,0 | 35 | 5 |
| K-07405448 | 50 | 31,5 | 20,0 | 34,5 | 42,5 | 167,5 | 118,5 | 105,5 | 74,0 | 30 | 6 |
| K-07405449 | 50 | 38,5 | 25,0 | 42,5 | 42,5 | 175,5 | 126,5 | 105,5 | 74,0 | 35 | 6 |
| K-07405450 | 63 | 31,5 | 20,0 | 34,5 | 42,5 | 185,0 | 130,0 | 119,0 | 81,0 | 30 | 6 |
| K-07405451 | 63 | 38,5 | 25,0 | 42,5 | 42,5 | 193,0 | 138,0 | 119,0 | 81,0 | 35 | 6 |