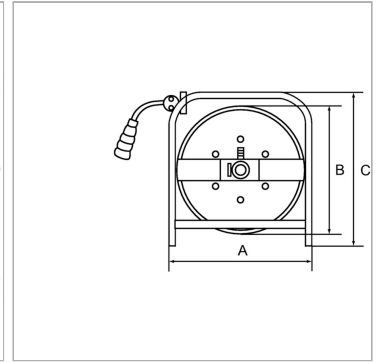


Характеристики

Материал шланга	Polyurethane (PUR)
Рабочее давление	макс. 10 бар



Указания

Прочие данные только по запросу.

Описание

Specially designed for mobile applications. This 50 m long polyurethane hose is mounted in a portable four-wheel cart made from blue anodised steel. An automatic latching mechanism allows the hose to be engaged at any length. Enclosed spring. Precise locking device for continuous feeding or latching mechanism. Reel guide prevents excessive wear on the hose.

Артикул

Наименование	A	B	C	Длина шланга
K-07100616	452,0	400,0	460,0	50