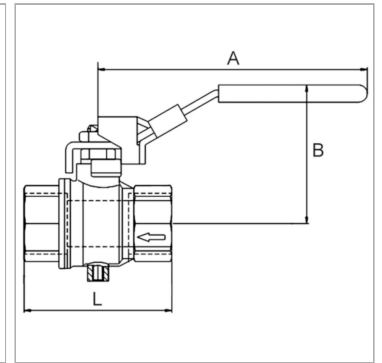


Характеристики

Рабочая температура	-10 °C to + 100 °C (depending on operating pressure)
Вентиляционное отверстие	M 5 (>1": Relief port G 1/4")
Резьба, описание	Rp thread acc. to EN 10226
Шар	hardchrome-plated brass
Корпус	Nickel-plated brass
Уплотнение шара	PTFE
Уплотнение шпинделя	PTFE (политетрафторэтилен)
Рукоятка	Steel - PVC coated
Дополнительная информация	Vorhängeschloss nicht im Preis inbegriffen. Bitte separat bestellen.



Указания

Прочие данные только по запросу. G thread acc. to DIN EN ISO 228-1, with ISO flange plate (acc. to ISO 5211)

Описание

2/2-way safety ball valves, two parts, made of nickel-plated brass. Specially designed for pneumatic applications.

The valve shuts off the supply line and bleeds the application area. Lockable hand lever in closed position.

Указание по заказу

For use on devices that have to be vented whenever they are turned off, either because of safety regulations or for technical reasons. The pneumatic devices are disconnected from the system and simultaneously vented each time they are shut off.

Дополнительная информация

The price does not include a padlock. Please order separately.

Артикул

Наименование	DN	PN (бар)	Резьба	A	B	L
K-07302929	8	14	Rp 1/4	96,0	49,0	45,0
K-07302930	10	14	Rp 3/8	96,0	49,0	45,0
K-07302931	15	14	Rp 1/2	96,0	51,0	59,0
K-07302932	20	14	Rp 3/4	117,0	60,0	64,0
K-07302933	25	14	Rp 1	117,0	64,0	81,0
K-07302934	32	14	Rp 1 1/4	157,0	80,0	93,0
K-07302935	40	14	Rp 1 1/2	157,0	86,0	102,0
K-07302936	50	14	Rp 2	157,0	93,0	121,0

DN = номинальный диаметр, номинальный внутренний диаметр