

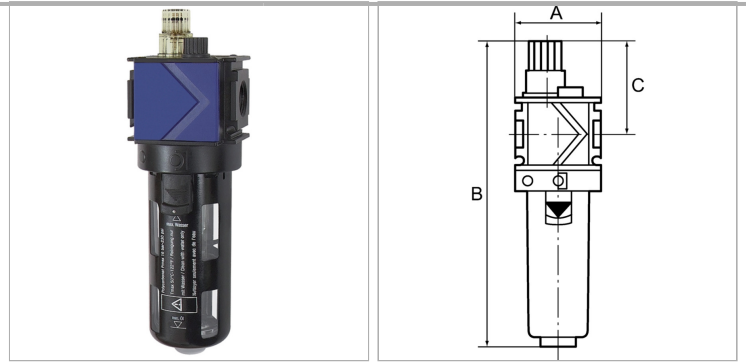
K-NEBELOELER PC-BEHAELTER S VARIOBL

Oil-mist lubricators with polycarbonate bowl and bowl guard

Обновлено: 04.19.24

Характеристики

Уплотнение	Нитрильный каучук
------------	-------------------



Указания

Прочие данные только по запросу.

Описание

Proportional lubricators, oil can be filled under pressure. Approved series in modern industrial design, with the following key benefits: Simple handling, Convenient modular assembly thanks to innovative fasteners, Excellent flow values.

Указание по заказу

Oil-mist lubricators are also available with bowl guard or metal bowl.

Артикул

Наименование	Резьба	Расход ном.	A	C	B
K-07252287	G 1	7500	124,0	57,0	224,0 mm
K-07252288	G 3/4	7500	70,0	57,0	224,0 mm
K-07252289	G 1/2	4600	70,0	57,0	224,0 mm
K-07252290	G 3/8	4400	48,0	52,0	171,0 mm
K-07252291	G 1/4	3400	48,0	52,0	171,0 mm