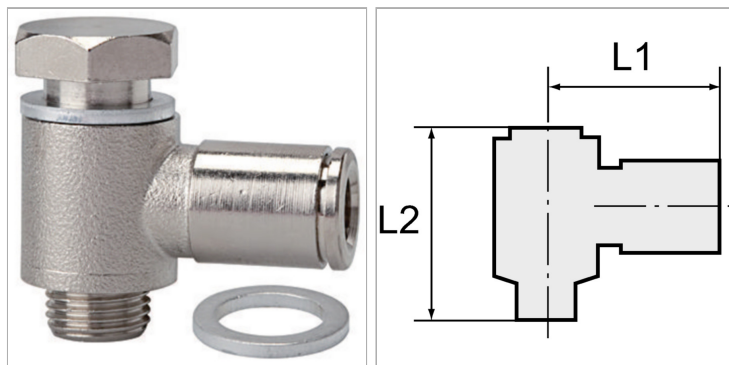


Banjo elbows with outer hex, parallel male thread with O-ring

Обновлено: 05.03.24

Характеристики

Рабочая температура	-20 °C to +150 °C
Рабочее давление	Max. 16 bar
Материал	Никелированная латунь
Кольцо круглого сечения	FKM (FPM)
Зажимное кольцо	Stainless steel
Прижимное кольцо	Nickel-plated brass



Указания

Прочие данные только по запросу.

Описание

Push-in fittings, manufactured entirely in nickel-plated brass. All parts with a parallel thread are supplied with an FPM O-ring.

All parts with conical threads are coated with preCOTE 5 dispersion, all fittings in this series can thus also be used at high temperatures (medium compressed air).

Артикул

Наименование	Резьба	L1	L2
K-07402792	M 5	18,0	17,5
K-07402793	M 5	19,0	17,5
K-07402794	M 5	19,5	19,5
K-07402798	G 1/8	20,5	28,0
K-07402799	G 1/8	23,0	28,0
K-07402800	G 1/8	24,5	28,0
K-07402796	G 1/4	24,0	33,0
K-07402797	G 1/4	26,0	33,0
K-07402795	G 1/4	27,0	33,0
K-07402802	G 3/8	27,0	36,0
K-07404794	G 3/8	28,0	36,0
K-07402801	G 3/8	29,0	36,0
K-07404793	G 1/2	34,5	42,0