

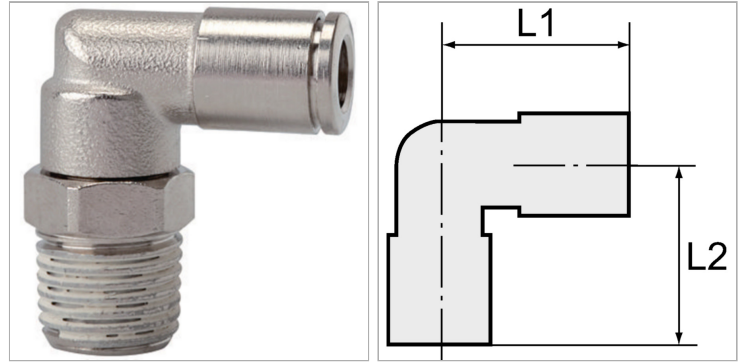
# K-L-STECKVER DREH AG-K BESCH 1

Male elbows, swivel type, conical male thread, coated

Обновлено: 04.29.24

## Характеристики

Рабочая температура	-20 °C to +150 °C
Рабочее давление	Max. 16 bar
Материал	Никелированная латунь
Зажимное кольцо	Stainless steel
Прижимное кольцо	Nickel-plated brass



## Указания

Прочие данные только по запросу.

## Описание

Push-in fittings, manufactured entirely in nickel-plated brass. All parts with a parallel thread are supplied with an FPM O-ring.

All parts with conical threads are coated with preCOTE 5 dispersion, all fittings in this series can thus also be used at high temperatures (medium compressed air).

## Артикул

Наименование	Резьба	L1	L2
<a href="#">K-07402810</a>	R 1/8	20,0	20,0
<a href="#">K-07402811</a>	R 1/8	21,0	20,0
<a href="#">K-07402812</a>	R 1/8	24,0	20,0
<a href="#">K-07402807</a>	R 1/4	20,0	25,0
<a href="#">K-07402808</a>	R 1/4	21,0	25,0
<a href="#">K-07402809</a>	R 1/4	24,0	25,0
<a href="#">K-07402806</a>	R 1/4	27,0	26,0
<a href="#">K-07402814</a>	R 3/8	24,0	28,0
<a href="#">K-07402813</a>	R 3/8	27,0	30,0
<a href="#">K-07404800</a>	R 3/8	29,0	32,5
<a href="#">K-07404799</a>	R 1/2	29,0	35,5