

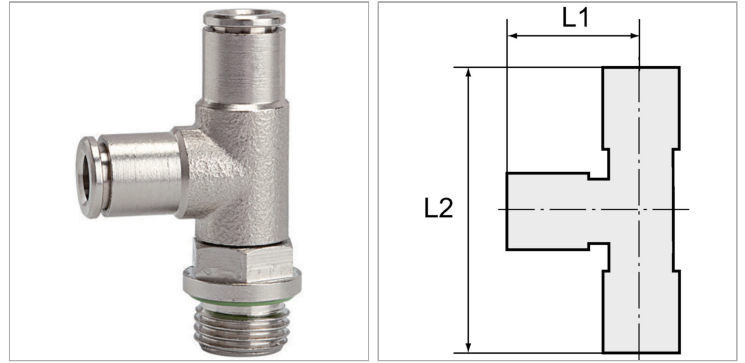
K-L-STECK VERS DER AG OR 2

Male branch tees, angled plug connections, swivel type, parallel male thread with O-ring

Обновлено: 05.04.24

Характеристики

| | |
|--------------------------------|-----------------------|
| Рабочая температура | -20 °C to +150 °C |
| Рабочее давление | Max. 16 bar |
| Материал | Никелированная латунь |
| Кольцо круглого сечения | FKM (FPM) |
| Зажимное кольцо | Stainless steel |
| Прижимное кольцо | Nickel-plated brass |



Указания

Прочие данные только по запросу.

Описание

Push-in fittings, manufactured entirely in nickel-plated brass. All parts with a parallel thread are supplied with an FPM O-ring.

All parts with conical threads are coated with preCOTE 5 dispersion, all fittings in this series can thus also be used at high temperatures (medium compressed air).

Артикул

| Наименование | Резьба | L1 | L2 |
|----------------------------|--------|------|------|
| K-07402788 | G 1/8 | 17,5 | 35,5 |
| K-07402789 | G 1/8 | 21,0 | 41,5 |
| K-07402790 | G 1/8 | 23,0 | 43,0 |
| K-07402786 | G 1/4 | 21,0 | 45,5 |
| K-07402787 | G 1/4 | 23,0 | 47,5 |
| K-07402785 | G 1/4 | 27,0 | 50,5 |
| K-07404792 | G 3/8 | 23,0 | 48,5 |
| K-07402791 | G 3/8 | 27,0 | 54,0 |
| K-07404791 | G 3/8 | 31,0 | 57,5 |
| K-07404790 | G 1/2 | 32,0 | 65,5 |