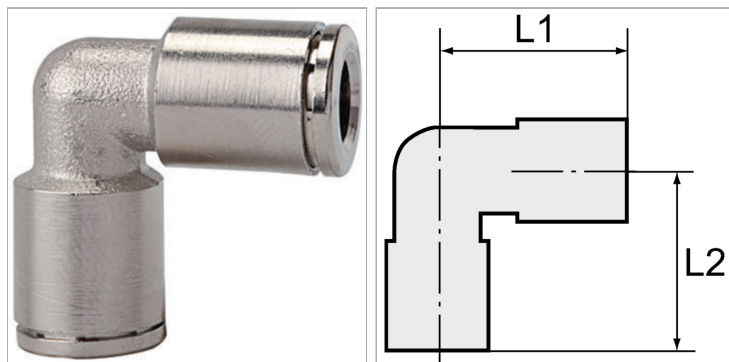


### Характеристики

<b>Рабочая температура</b>	-20 °C to +150 °C
<b>Рабочее давление</b>	Max. 16 bar
<b>Материал</b>	Никелированная латунь
<b>Зажимное кольцо</b>	Stainless steel
<b>Прижимное кольцо</b>	Nickel-plated brass



### Указания

Прочие данные только по запросу.

### Описание

Push-in fittings, manufactured entirely in nickel-plated brass. All parts with a parallel thread are supplied with an FPM O-ring.

All parts with conical threads are coated with preCOTE 5 dispersion, all fittings in this series can thus also be used at high temperatures (medium compressed air).

### Артикул

Наименование	L1	L2
<a href="#">K-07402753</a>	17,5	17,5
<a href="#">K-07402754</a>	20,0	20,0
<a href="#">K-07402755</a>	23,0	23,0
<a href="#">K-07402756</a>	25,0	25,0
<a href="#">K-07404779</a>	27,5	27,5
<a href="#">K-07404780</a>	31,0	31,0