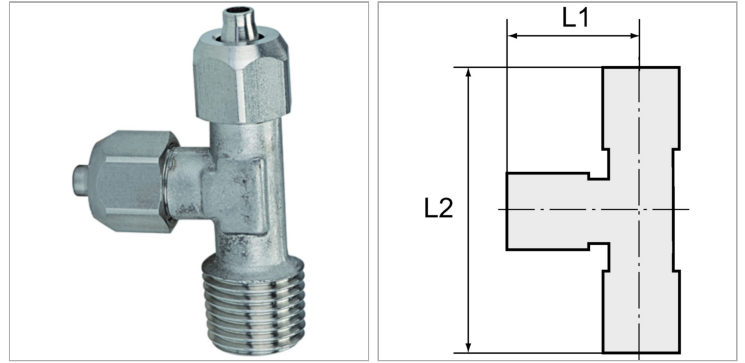


Male run tees, conical male thread acc. to ISO 7-1, stainless steel

Обновлено: 05.03.24

Характеристики

Область температур	-40 °C to +200 °C (depending on the hose quality and diameter)
Диапазон давлений	Max. 25 bar
рекомендуемые шланги	PTFE hose
Материал	нержавеющая сталь 1.4404
Уплотнение	Pure metal



Указания

Прочие данные только по запросу.

Описание

Supplied without seals. For use with corrosive media and at high temperatures. Screw fitting series made of stainless steel for all applications where compliance with strict tightness, pressure and temperature requirements is essential. The parts are manufactured without rubber seals, in other words they are ideal for very high temperatures or for use with corrosive liquids, e.g. in cases when FPM is no longer suitable.

Артикул

Наименование	Резьба	L1	L2	SW1	SW2
K-07403051	R 1/8	23,0	40,0	12	10
K-07403052	R 1/8	23,0	40,0	14	10
K-07403049	R 1/4	23,0	44,5	12	10
K-07403050	R 1/4	23,0	44,5	14	10
K-07403048	R 1/4	26,0	47,5	16	12