

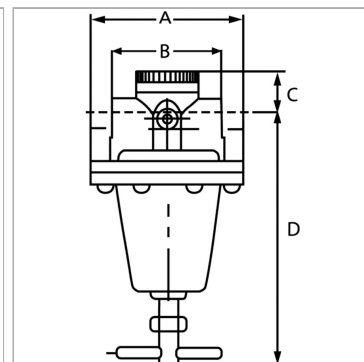
K-KONSTANT DRUCKREGLER STANDARD 2

Constant-pressure regulators

Обновлено: 04.20.24

Характеристики

Входное давление	Max. 25 bar (G 1/4 to G 1/2), Max. 40 bar (G 3/4 to G 1 1/2)
Температура окружающей среды	Max. 90 °C
Температура среды	Max. 60 °C
Уплотнение	Нитрильный каучук
Корпус	Die-cast zinc for (G 1/4 to G 1/2), for Brass (G 3/4 to G 1 1/2)
Измерение расхода воздуха	At P1 = 8 bar, P2 = 6 bar and pressure drop $\Delta p = 1$ bar
Дополнительная информация	Bedienungsanleitung auf Anfrage



Описание

Reversible diaphragm pressure regulators, independent of inlet pressure, with self-relieving design. The pressure regulators maintain a constant working pressure regardless of variations in the inlet pressure.

Дополнительная информация

User manual on request

Артикул

Наименование	Резьба	DN	Расход ном.	A	C	D	B
K-07250398	G 3/4	20	8700	116,0	43,0	177,0	93,0 mm
K-07250399	G 3/4	20	8200	116,0	43,0	177,0	93,0 mm
K-07250400	G 3/4	20	7830	116,0	43,0	177,0	93,0 mm
K-07250401	G 3/4	20	7400	116,0	43,0	172,0	93,0 mm
K-07250402	G 3/4	20	6500	116,0	43,0	172,0	93,0 mm
K-07250403	G 1	20	8700	116,0	43,0	177,0	81,0 mm
K-07250404	G 1	20	8200	116,0	43,0	177,0	81,0 mm
K-07250405	G 1	20	7830	116,0	43,0	177,0	81,0 mm
K-07250406	G 1	20	7400	116,0	43,0	172,0	81,0 mm
K-07250407	G 1	20	6500	116,0	43,0	172,0	81,0 mm
K-07250408	G 1 1/4	25	16000	114,0	48,0	189,0	126,0 mm
K-07250409	G 1 1/4	25	14000	114,0	48,0	189,0	126,0 mm
K-07250410	G 1 1/4	25	12160	114,0	48,0	189,0	126,0 mm
K-07250411	G 1 1/4	25	11000	114,0	48,0	184,0	126,0 mm
K-07250412	G 1 1/4	25	8500	114,0	48,0	184,0	126,0 mm
K-07250413	G 1 1/2	25	16000	114,0	48,0	189,0	114,0 mm
K-07250414	G 1 1/2	25	14000	114,0	48,0	189,0	114,0 mm
K-07250415	G 1 1/2	25	12160	114,0	48,0	189,0	114,0 mm
K-07250416	G 1 1/2	25	11000	114,0	48,0	184,0	114,0 mm
K-07250417	G 1 1/2	25	8500	114,0	48,0	184,0	114,0 mm

DN = номинальный диаметр, номинальный внутренний диаметр