

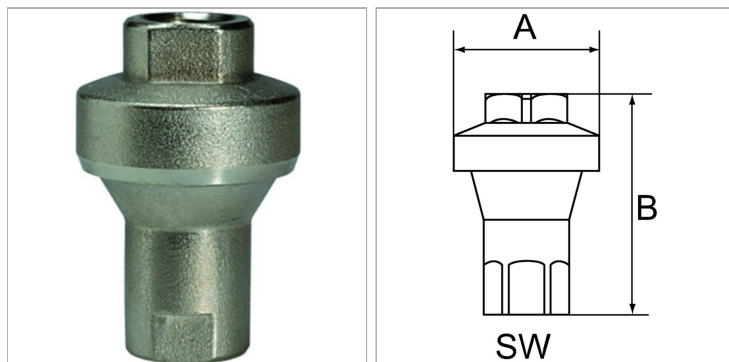
# K-INLINE-DRG IG WASSER O SEKUNDAER

## Inline pressure regulators, for water applications

Обновлено: 04.27.24

### Характеристики

<b>Область температур</b>	0 °C to +60 °C
<b>Рабочее давление</b>	макс. 10 бар
<b>Расход</b>	4000 ml/min with 0.8 bar pressure loss
<b>Корпус</b>	Nickel-plated brass
<b>остальные детали</b>	CR, stainless steel



### Указания

Прочие данные только по запросу.

### Описание

This water regulator is designed as a single-acting diaphragm regulator for installation in any water pipe system. It supplies a precise output value regardless of the input pressure. Since the pressure is preset in the factory and cannot be altered, the product is also tamper-proof.

The regulator protects all downstream devices and components in the water pipe by maintaining a required constant pressure and preventing system pressure fluctuations. In combination with a nozzle, it is ideally suited for cooling or cleaning with water spray or mist.

### Артикул

Наименование	Резьба	A	SW	B
<a href="#">K-07250306</a>	G 1/4	34,0	17	51,0 mm
<a href="#">K-07250307</a>	G 1/4	34,0	17	51,0 mm
<a href="#">K-07250308</a>	G 1/4	34,0	17	51,0 mm
<a href="#">K-07250309</a>	G 1/4	34,0	17	51,0 mm