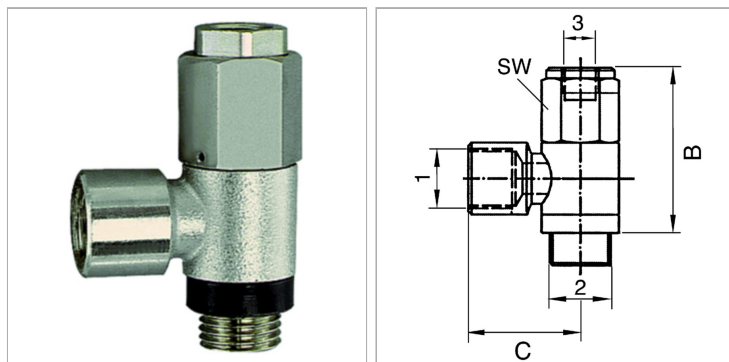


## Unidirectional banjo valves, pneumatic release, port 2 with female thread

Обновлено: 04.25.24

### Характеристики

<b>Рабочее давление</b>	0.3 - 10 bar
<b>Управляющее давление</b>	0.5 - 2.5 bar, depending on operating pressure
<b>Температура среды</b>	Max. 60 °C
<b>Расположение</b>	Any. The ring piece must be positioned before the valve is tightened
<b>Материал</b>	Никелированная латунь
<b>Уплотнение</b>	Пербунан



### Указания

Прочие данные только по запросу.

### Описание

For stopping and positioning the cylinder movement: If a control signal is present at port 3 (see drawing), air can flow to and from the cylinder. If no control signal is present, the cylinder exhaust air is shut off by the unidirectional valve.

The cylinder is stopped. Releasable unidirectional valves are screwed directly onto the cylinder instead of the normal pipe connections.

### Артикул

Наименование	Anschluss 1	Anschluss 2	Соединение 3	B	C
<a href="#">K-07150704</a>	G 1/8"	G 1/8"	M 5	38,0	21,5
<a href="#">K-07150703</a>	G 1/4"	G 1/4"	G 1/8"	43,0	25,4
<a href="#">K-07150705</a>	G 3/8"	G 3/8"	G 1/8"	46,0	31,6
<a href="#">K-07150702</a>	G 1/2"	G 1/2"	G 1/8"	52,0	32,0