

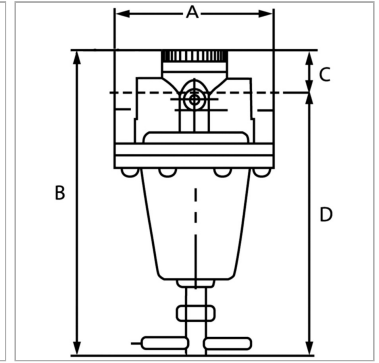
# K-HOCHDRUCKREGLER 60 BAR

## High-pressure regulators up to 60 bar

Обновлено: 05.03.24

### Характеристики

<b>Входное давление</b>	Max. 60 bar
<b>Применение</b>	Compressed air and other neutral, non-flammable gases
<b>Рабочая температура</b>	-10 °C to +90 °C
<b>Уплотнение</b>	Нитрильный каучук
<b>Материал</b>	Латунь
<b>Измерение расхода воздуха</b>	At P1 = 20 bar, P2 = 10 bar and pressure drop $\Delta p = 4$ bar



### Указания

Прочие данные только по запросу.

### Описание

Reversible piston-type pressure regulator, virtually independent of inlet pressure, with self-relieving design, manufactured entirely in brass. Specially designed for high pressures up to 60 bar. Pressure catch with counter nut.

### Артикул

Наименование	Резьба	Расход ном.	A	C	D	B
<a href="#">K-07250819</a>	G 3/8	1400	72,0	31,0	133,0	164,0 mm
<a href="#">K-07250820</a>	G 3/8	1400	72,0	31,0	133,0	164,0 mm
<a href="#">K-07250821</a>	G 3/8	1400	72,0	31,0	133,0	164,0 mm
<a href="#">K-07250822</a>	G 3/8	1400	72,0	31,0	133,0	164,0 mm
<a href="#">K-07250823</a>	G 1	5000	118,0	51,0	206,0	257,0 mm
<a href="#">K-07250824</a>	G 1	5000	118,0	51,0	206,0	257,0 mm
<a href="#">K-07250825</a>	G 1	5000	118,0	51,0	206,0	257,0 mm
<a href="#">K-07250826</a>	G 1	5000	118,0	51,0	206,0	257,0 mm