

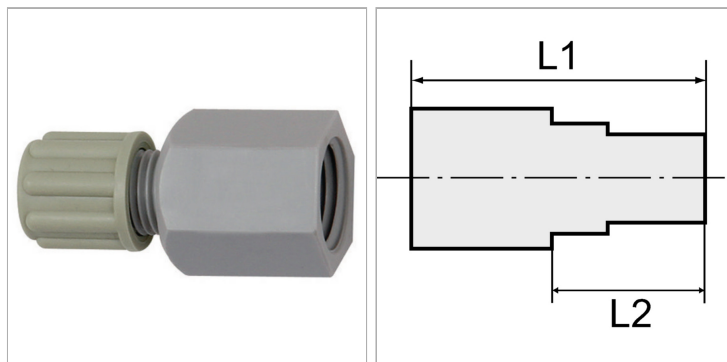
Характеристики

Рабочее давление Dependent on operating temperature; Max. 10 bar (at 20 °C); Max. 1 bar (at 60 °C)

Резьбовые детали Polyamide (PA)

Гайка Polypropylene (PP)

Зажимное кольцо Polypropylene (PP)



Указания

Прочие данные только по запросу.

Описание

Manufactured from high impact-resistant, UV-stabilised engineering plastic, extremely resistant to weathering. Good chemical resistance to benzene, diesel oil, fuel oil and alkalis.

Not suitable for use with acids.

Артикул

Наименование	Резьба	L1	L2
K-07403246	G 1/8	31,0	17,0
K-07403247	G 1/8	36,0	21,0
K-07403248	G 1/8	39,0	24,0
K-07403249	G 1/8	43,0	28,0
K-07403250	G 1/4	36,0	17,0
K-07403251	G 1/4	41,0	21,0
K-07403252	G 1/4	44,0	24,0
K-07403253	G 1/4	48,0	28,0
K-07403254	G 3/8	36,0	17,0
K-07403255	G 3/8	41,0	21,0
K-07403256	G 3/8	44,0	24,0
K-07403257	G 3/8	48,0	28,0
K-07403258	G 1/2	38,0	17,0
K-07403259	G 1/2	42,0	21,0
K-07403260	G 1/2	44,0	24,0
K-07403261	G 1/2	49,0	28,0