

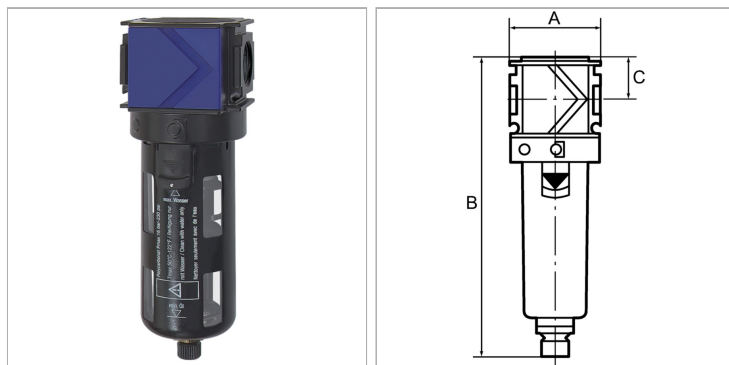
# K-FI PC-BEHÄLTER SCHUTZ VARIOBLOC

## Filters with polycarbonate bowl and bowl guard

Обновлено: 04.20.24

### Характеристики

Уплотнение	Нитрильный каучук
------------	-------------------



### Указания

Прочие данные только по запросу.

### Описание

Centrifugal separators with a sintered filter element. Filtration takes place in a 2-stage process comprising cyclone separation (condensate) and a PE filter element (particles).

Approved series in modern industrial design, with the following key benefits: Simple handling, Convenient modular assembly thanks to innovative fasteners, Excellent flow values.

### Указание по заказу

Filters are also available with bowl guard or metal bowl.

### Артикул

Наименование	Резьба	Расход ном.	A	C	B
<a href="#">K-07252306</a>	G 1/4	1800	48,0	22,0	155,0 mm
<a href="#">K-07252305</a>	G 3/8	2000	48,0	22,0	155,0 mm
<a href="#">K-07252304</a>	G 1/2	3200	70,0	26,0	202,0 mm
<a href="#">K-07252303</a>	G 3/4	3500	70,0	26,0	202,0 mm
<a href="#">K-07252302</a>	G 1	3500	124,0	26,0	202,0 mm