

# K-DRV ABLD SCHNVERSCHR C RAENDEL

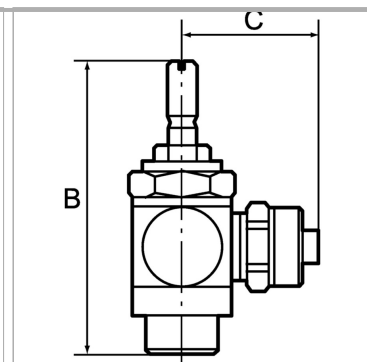
## Unidirectional flow control valves, outgoing air restriction

Обновлено: 04.25.24

### (»C«) quick-lock screw fitting

Характеристики

|  |                                    |
|--|------------------------------------|
| <b>Рабочее давление</b>                                  | макс. 10 бар                       |
| <b>Область температур</b>                                | 0 °C to +70 °C                     |
| <b>Полый винт, поворотный рычаг, регулировочный винт</b> | Nickel-plated brass                |
| <b>Внутренние детали</b>                                 | Brass with a bare metal surface    |
| <b>Уплотнения (неотделимые)</b>                          | Polyamide (glass fibre-reinforced) |
| <b>Дополнительная информация</b>                         | NBR Lippendichtung O-Ring          |



### Указания

Прочие данные только по запросу.

### Описание

For fine regulation of a cylinder piston speed and precise control of flow rates. Designed as a banjo-type valve with a hollow bolt and ring piece. Can be screwed directly onto the valve or cylinder. Compact type of construction, also ideal where space is restricted. On the version with a knurled screw, the set volumetric flow rate can be locked with the hexagon nut to obtain a fixed setting.

### Дополнительная информация

NBR lip seal O-ring

### Артикул

| Наименование               | B    | C    | Резьба |
|----------------------------|------|------|--------|
| <a href="#">K-07150454</a> | 38,9 | 18,0 | M 5    |
| <a href="#">K-07150455</a> | 38,9 | 19,0 | M 5    |
| <a href="#">K-07150456</a> | 38,9 | 19,0 | M 5    |
| <a href="#">K-07150463</a> | 42,4 | 25,0 | G 1/8  |
| <a href="#">K-07150464</a> | 42,4 | 25,0 | G 1/8  |
| <a href="#">K-07150460</a> | 51,4 | 26,5 | G 1/4  |
| <a href="#">K-07150461</a> | 51,4 | 27,5 | G 1/4  |
| <a href="#">K-07150459</a> | 51,4 | 28,5 | G 1/4  |