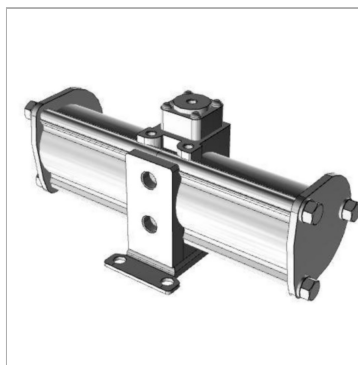


Характеристики

Рабочие среды	Сжатый воздух
мин. рабочее давление	0.2 MPa
Количество соединений пневматических манометров	2
макс. входное давление	0,1 to 1,0 MPa
Температура среды	+2 °C bis +50 °C
Температура окружающей среды	+2 °C bis +50 °C
Дополнительная информация	erhöht den Druck nur dort, wo die Kraft aufgrund eines geringen Netzdrucks ungenügend ist (Maßnahme zum Energiesparen) keine Stromversorgung nötig verlängerte Lebensdauer: verdoppelt im Vergleich zum herkömmlichen Modell verbesserte Betriebssicherheit durch eingebauter Siebfilter am (IN-Anschluss) Drucklufteingang geringere Kondenswasserbildung: Entlüftungskanäle im Zylinderrohr integriert Verringertes Betriebsgeräusch: 13 dB (A) Anschluss Manometer pneumatisch Rc 1/8



Описание

Booster regulator, series VBA, increases pressure only where the force is inadequate because of a low network pressure (energy saving measure), no electricity supply necessary, longer service life: doubled compared to conventional model, lower operating noise level: 13 dB (A), improved operational reliability from inbuilt mesh filter on (IN connection) compressed air inlet, reduced condensation levels: air exhaust channels integrated directly into the cylinder tube, suitable for: compressed air, size 1/4, with pressure gauge and silencer, elbow, pneumatic connection: G 1/4, pneumatic connection pressure gauge: G 1/8, pneumatic connections pressure gauge: 2, flow rate 230 l/min, pressure boost 1:2, manually actuated pressure adjustment mechanism, test pressure: 3 MPa, max. operating pressure: 2 MPa, min. operating pressure: 0.2 MPa, media temperature: +2 to +50 °C, ambient temperature: +2 to +50 °C

Дополнительная информация

increases the pressure only where the force is insufficient due to low factory pressure (measure to save energy)no power supply requiredextended life: doubled compared to the conventional modelimproved reliability through built-in strainer on (IN terminal) Compressed air inletreduced condensation: Venting channels directly integrated in the cylinder tubeReduced noise: 13 dB (A)Port for pneumatic pressure gauge Rc 1/8

Артикул

Наименование	Количество соединений пневматических манометров	Расход пот.	Типоразмер	Соединение пневматическое	Макс. рабочее давление	Испытательное давление	Коэффициент усиления давления
K-07600006	-	-	-	-	-	-	-
K-07600015	-	-	-	-	-	-	-
K-07600001	2	230	1/4	G 1/4	2,00	3,00	1:2
K-07600008	2	1000	3/8	G 3/8	1,00	1,50	1:2
K-07600012	2	1000	3/8	G 3/8	1,00	1,50	1:2
K-07600013	2	1900	1/2	G 1/2	1,00	1,50	1:2
K-07600014	2	1900	1/2	G 1/2	1,00	1,50	1:2