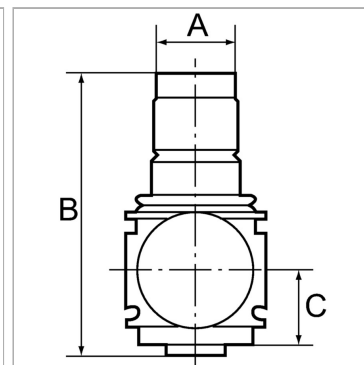


### Характеристики

<b>Входное давление</b>	Max. 25 bar
<b>Температура среды</b>	max. 50 °C
<b>Температура окружающей среды</b>	max. 50 °C
<b>Уплотнение</b>	Нитрильный каучук
<b>Мембрана</b>	NBR
<b>Корпус</b>	Die-cast zinc
<b>Пружинная крышка</b>	POM
<b>Измерение расхода воздуха</b>	At P1 = 10 bar, P2 = 6 bar and pressure drop $\Delta p = 1$ bar



### Указания

Прочие данные только по запросу.

### Описание

Reversible diaphragm pressure regulators, independent of inlet pressure, with self-relieving design. The pressure setting can be locked by pushing the knob down. Approved series in modern industrial design, with the following key benefits: Simple handling, Convenient modular assembly thanks to innovative fasteners, Excellent flow values.

### Указание по заказу

Pressure regulators are also available in lockable version. Please ask for more information.

### Артикул

Наименование	Резьба	Расход пот.	A	C	B
<a href="#">K-07250418</a>	G 1/4	2000	48,0	26,0	98,0 mm
<a href="#">K-07250419</a>	G 1/4	2000	48,0	26,0	98,0 mm
<a href="#">K-07250420</a>	G 1/4	2000	48,0	26,0	98,0 mm
<a href="#">K-07250421</a>	G 3/8	3200	48,0	26,0	98,0 mm
<a href="#">K-07250422</a>	G 3/8	3200	48,0	26,0	98,0 mm
<a href="#">K-07250423</a>	G 3/8	3200	48,0	26,0	98,0 mm
<a href="#">K-07250424</a>	G 1/2	7000	70,0	32,5	134,0 mm
<a href="#">K-07250425</a>	G 1/2	7000	70,0	32,5	134,0 mm
<a href="#">K-07250426</a>	G 1/2	7000	70,0	32,5	134,0 mm
<a href="#">K-07250427</a>	G 3/4	8000	70,0	32,5	134,0 mm
<a href="#">K-07250428</a>	G 3/4	8000	70,0	32,5	134,0 mm
<a href="#">K-07250429</a>	G 3/4	8000	70,0	32,5	134,0 mm
<a href="#">K-07250430</a>	G 1	8000	124,0	32,5	134,0 mm
<a href="#">K-07250431</a>	G 1	8000	124,0	32,5	134,0 mm
<a href="#">K-07250432</a>	G 1	8000	124,0	32,5	134,0 mm