

Reversible, stainless steel pressure regulators with self-relieving design, stainless steel pressure gauge

Обновлено: 04.29.24

Характеристики

Входное давление Max. 30 bar (Control range 0.5 - 8.0 bar), Max. 50 bar (Control range 1.0 - 15.0 bar)

Температура среды max. 80 °C

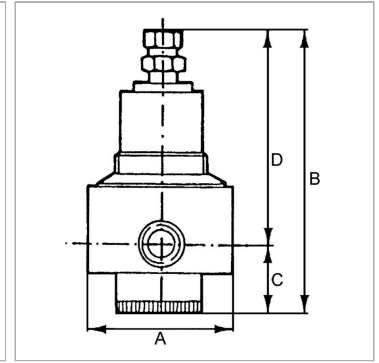
Температура окружающей среды max. 80 °C

Уплотнение FKM

Мембрана PTFE

Материал stainless steel 1.4404 (AISI 316L)

Измерение расхода воздуха At P1 = 8 bar, P2 = 6 bar and pressure drop $\Delta p \leq 1$ bar



Указания

Прочие данные только по запросу.

Описание

Stainless steel regulators containing no non-ferrous metals for use in the food processing, chemical, mining, plant construction and special machinery industries as well as in the medical technology.

Указание по заказу

NPT thread available on request

Артикул

Наименование	Резьба	Расход ном.	A	C	D	B
K-07250206	G 1/4	200	65,0	37,0	125,0	162,0 mm
K-07250207	G 1/4	330	65,0	37,0	125,0	162,0 mm
K-07250204	G 1/2	660	80,0	37,0	127,0	164,0 mm
K-07250205	G 1/2	1800	80,0	37,0	127,0	164,0 mm