

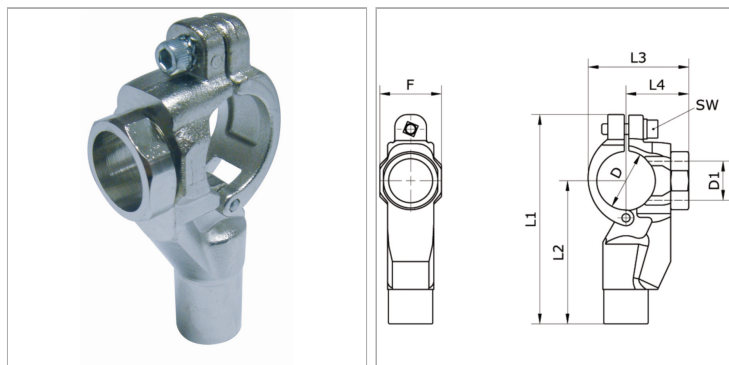
K-BOHRVORRICHTUNG 20-63 INFI

Drilling device for quick assembly Ø 20 mm - Ø 63 mm

Обновлено: 04.26.24

Характеристики

Материал Никелированная латунь



Артикул

Наименование	D	D1	F	L1	SW	L2	L3	L4
K-07405454	32	24,5	34,0	115,0	5	79,0	56,0	35,0
K-07405455	40	24,5	34,0	127,0	5	86,5	65,0	39,5
K-07405456	50	32,0	42,5	146,0	6	97,0	79,0	47,5
K-07405457	63	32,0	42,5	163,5	6	108,5	93,0	55,0