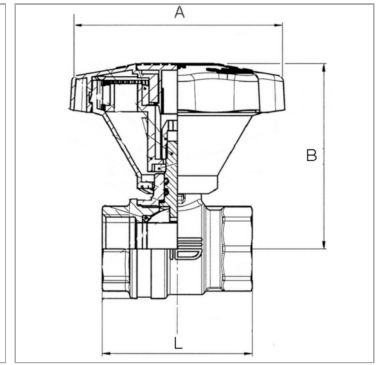


### Характеристики

<b>Рабочая температура</b>	-15 °C to +100 °C
<b>Рабочее давление</b>	Max. 40 bar
<b>Резьба, описание</b>	G thread acc. DIN EN ISO 228-1
<b>Шар</b>	Chrome-plated brass
<b>Корпус</b>	Nickel-plated brass (outside); Brass with a bare metal surface (inside)
<b>Уплотнение шара</b>	PTFE
<b>маховик</b>	Plastic
<b>Уплотнение шпинделя</b>	Нитрильный каучук



### Указания

Прочие данные только по запросу.

### Описание

Brass ball valves in the standard series with fine adjustment. Unlike our classic standard ball valves (open-close function), this model features a special stem technology that allows finely modulated opening and closing of the line.

The flow rate can be regulated extremely precisely as a result. The cock is made of low-lead brass with a bare brass surface on the inside. It is thus safe to use with drinking water.

This valve complies with the European standard EN 13828 and the working paper DVGW W 570.

### Артикул

Наименование	DN	Резьба	A	B	L
<a href="#">K-07300042</a>	15	G 1/2	83,0	70,0	50,1
<a href="#">K-07300043</a>	20	G 3/4	83,0	76,0	58,0
<a href="#">K-07300044</a>	25	G 1	83,0	80,0	68,8
<a href="#">K-07300045</a>	32	G 1 1/4	130,0	110,0	81,0
<a href="#">K-07300046</a>	40	G 1 1/2	130,0	116,0	93,2
<a href="#">K-07300047</a>	50	G 2	130,0	123,0	110,2

DN = номинальный диаметр, номинальный внутренний диаметр