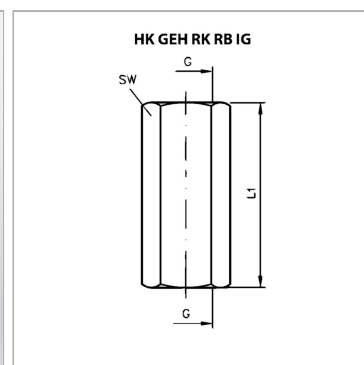


Характеристики

Материал	Galvanised steel
Рабочее давление	макс. 700 бар



Артикул

Наименование	G	L1	SW
HKGEHRKRB0IG	G 1/8"	28,0	14
HKGEHRKRB1IG	G 1/4"	43,0	19
HKGEHRKRB2IG	G 3/8"	44,0	22
HKGEHRKRB3IG	G 1/2"	56,0	27
HKGEHRKRB4IG	G 3/4"	65,0	36