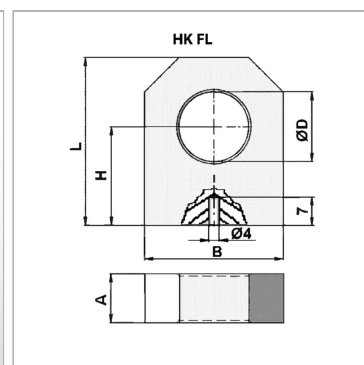


Характеристики

Материал Сталь S355J0 (Fe510C)



Артикул

Наименование	Ø D	A	B	H	L
HKFL16	16,20	15,0	35,0	34,0	50,0
HKFL20	20,25	20,0	40,0	40,0	60,0
HKFL25	25,25	25,0	50,0	45,0	65,0
HKFL30	30,25	30,0	60,0	50,0	75,0
HKFL35	35,25	35,0	70,0	55,0	85,0
HKFL40	40,25	40,0	80,0	60,0	100,0