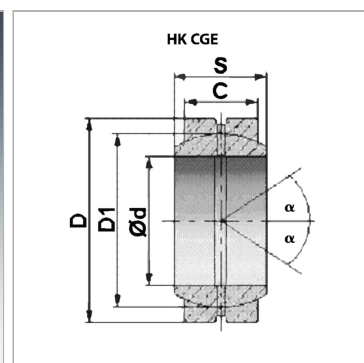


### Характеристики

<b>Норма</b>	DIN 648, серия E - ISO 6124/1
<b>Материал</b>	Сталь



### Артикул

Наименование	C	D	D1	Ø d	S	α
<a href="#">HKCGE0150000</a>	9	26	22,0	15	12	8
<a href="#">HKCGE0200000</a>	12	35	29,0	20	16	9
<a href="#">HKCGE0250000</a>	16	42	35,5	25	20	7
<a href="#">HKCGE0300000</a>	18	47	40,7	30	22	6
<a href="#">HKCGE0350000</a>	20	55	47,0	35	25	6
<a href="#">HKCGE0400000</a>	22	62	53,0	40	28	7
<a href="#">HKCGE0450000</a>	25	68	60,0	45	32	7
<a href="#">HKCGE0500000</a>	28	75	66,0	50	35	6
<a href="#">HKCGE0600000</a>	36	90	80,0	60	44	6