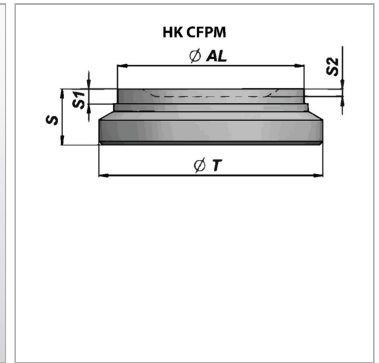
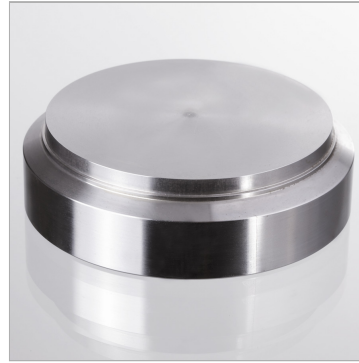


### Характеристики

**Материал**                      Сталь S355J0 (Fe510C)



### Артикул

Наименование	$\varnothing AL$	$\varnothing T$	S	S1	S2
<a href="#">HKCFPM060050017</a>	50	60	17	4	2
<a href="#">HKCFPM065050017</a>	50	65	17	4	-
<a href="#">HKCFPM070060021</a>	60	70	21	4	-
<a href="#">HKCFPM075060019</a>	60	75	19	4	-
<a href="#">HKCFPM080070024</a>	70	80	24	4	-
<a href="#">HKCFPM085070022</a>	70	85	22	4	2
<a href="#">HKCFPM095080027</a>	80	95	27	4	-
<a href="#">HKCFPM100080025</a>	80	100	25	4	2
<a href="#">HKCFPM110090026</a>	90	110	26	4	-
<a href="#">HKCFPM115100033</a>	100	115	33	4	-
<a href="#">HKCFPM120100030</a>	100	120	30	4	2
<a href="#">HKCFPM125110036</a>	110	125	36	7	-
<a href="#">HKCFPM135110033</a>	110	135	33	7	-
<a href="#">HKCFPM140120040</a>	120	140	40	7	-
<a href="#">HKCFPM145120035</a>	120	145	35	7	-
<a href="#">HKCFPM170140040</a>	140	170	40	7	-