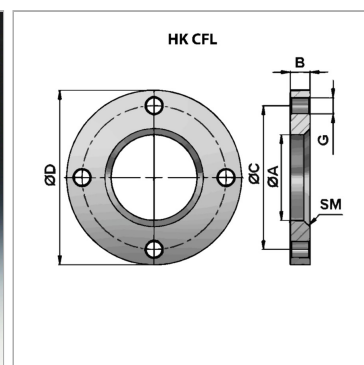
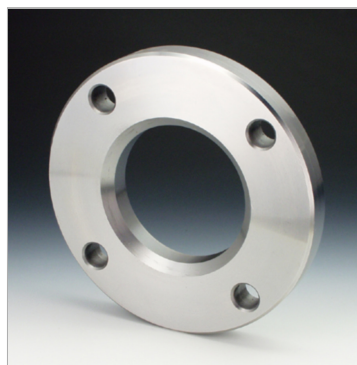


### Характеристики

**Материал**                      Сталь S355J0 (Fe510C)



### Указания

погрешность для ØA: +0,2

### Артикул

Наименование	Ø D	Ø A	Ø C	B	G	SM
<a href="#">HKCFL0035072</a>	72,0	35,0	60	10,00	4 x Ø 7	3 x 45°
<a href="#">HKCFL0040080</a>	80,0	40,0	65	12,00	4 x Ø 9	3 x 45°
<a href="#">HKCFL0042089</a>	89,0	42,0	70	12,00	4 x Ø 9	3 x 45°
<a href="#">HKCFL0045095</a>	95,0	45,0	75	12,00	4 x Ø 9	3 x 45°
<a href="#">HKCFL0050109</a>	109,0	50,0	87	12,50	4 x Ø 11	4 x 45°
<a href="#">HKCFL0055123</a>	123,0	55,0	100	14,50	4 x Ø 11	4 x 45°
<a href="#">HKCFL0060128</a>	128,0	60,0	105	14,50	4 x Ø 13	4 x 45°
<a href="#">HKCFL0065135</a>	135,0	65,0	110	15,50	4 x Ø 13	4 x 45°
<a href="#">HKCFL0070142</a>	142,0	70,0	117	16,50	4 x Ø 13	5 x 45°
<a href="#">HKCFL0073145</a>	145,0	73,0	120	16,50	4 x Ø 13	5 x 45°
<a href="#">HKCFL0075152</a>	152,0	75,0	125	16,50	4 x Ø 13	5 x 45°
<a href="#">HKCFL0080162</a>	162,0	80,0	127	16,50	4 x Ø 15	5 x 45°
<a href="#">HKCFL0090175</a>	175,0	90,0	145	18,50	4 x Ø 15	5 x 45°
<a href="#">HKCFL0095181</a>	181,0	95,0	149	18,50	6 x Ø 17	7 x 45°
<a href="#">HKCFL0100188</a>	188,0	100,0	155	18,50	6 x Ø 17	7 x 45°
<a href="#">HKCFL0105188</a>	188,0	105,0	156	24,50	6 x Ø 17	8 x 45°
<a href="#">HKCFL0115194</a>	194,0	115,0	162	24,50	6 x Ø 17	8 x 45°
<a href="#">HKCFL0125228</a>	228,0	123,0	190	28,00	6 x Ø 21	8 x 45°
<a href="#">HKCFL0140240</a>	240,0	138,0	200	28,00	6 x Ø 21	8 x 45°
<a href="#">HKCFL0145250</a>	250,0	143,0	210	28,00	6 x Ø 21	8 x 45°
<a href="#">HKCFL0160280</a>	280,0	158,0	230	33,00	6 x Ø 23	-
<a href="#">HKCFL0170300</a>	300,0	168,0	250	38,00	6 x Ø 25	-
<a href="#">HKCFL0180325</a>	325,0	178,0	270	38,00	6 x Ø 28	-