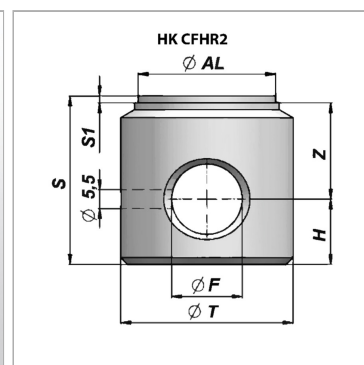


Характеристики

Материал	Сталь S355J0 (Fe510C)
Применение	Suitable for cylinder HK HFR 2S



Артикул

Наименование	$\varnothing AL$	$\varnothing F$	$\varnothing T$	H	S	S1	Z
HKCFHR2035016035	35	16,10	45	15	35	2	18
HKCFHR2040020040	40	20,25	50	18	40	2	20
HKCFHR2045020045	45	20,25	55	20	45	2	23
HKCFHR2050025049	50	25,25	60	22	49	2	25
HKCFHR2055025050	55	25,25	65	22	50	2	26
HKCFHR2060025047	60	25,25	70	22	47	2	23
HKCFHR2060030047	60	30,25	70	22	47	2	23
HKCFHR2063025053	63	25,25	73	23	53	2	28
HKCFHR2063030053	63	30,25	73	23	53	2	28
HKCFHR2065025050	65	25,25	75	22	50	2	26
HKCFHR2070030063	70	30,25	80	28	63	2	33
HKCFHR2075030060	75	30,25	90	25	60	2	33
HKCFHR2080030060	80	30,25	90	28	60	2	30
HKCFHR2080040060	80	40,25	90	28	60	2	30
HKCFHR2085035063	85	35,25	100	28	63	2	33
HKCFHR2090035063	90	35,25	105	28	63	2	33
HKCFHR2090040063	90	40,25	105	28	63	2	33
HKCFHR2100030063	100	30,25	115	28	63	2	33
HKCFHR2100040063	100	40,25	115	28	63	2	33
HKCFHR2110040075	110	40,25	125	35	75	2	38
HKCFHR2110050075	110	50,50	125	35	75	2	38
HKCFHR2120050095	120	50,50	140	45	95	2	48
HKCFHR2120060095	120	60,50	140	45	95	2	48
HKCFHR2125050095	125	50,50	145	45	95	2	48
HKCFHR2125060095	125	60,50	145	45	95	2	48
HKCFHR2140060110	140	60,50	160	50	110	2	58
HKCFHR2140070110	140	70,50	160	50	110	2	58
HKCFHR2150070130	150	70,50	170	55	130	2	73
HKCFHR2160080140	160	80,50	180	65	140	2	73