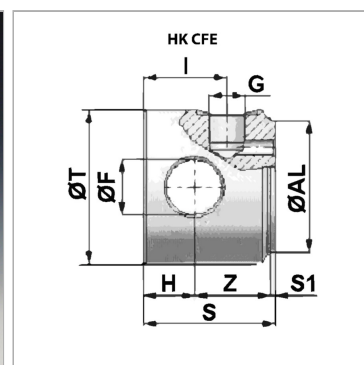


Характеристики

Материал Сталь S355J0 (Fe510C)



Артикул

Наименование	Ø AL	Ø F	Ø T	G	H	I	S	S1	Z
HKCFE0400504	40	16,20	50	G 1/4"	15	30,0	50	2	33
HKCFE0500606	50	20,25	60	G 3/8"	20	38,0	60	2	38
HKCFE0600706	60	25,25	70	G 3/8"	23	38,0	60	2	35
HKCFE0700806	70	25,25	80	G 3/8"	23	38,0	60	2	35
HKCFE0800958	80	30,25	95	G 1/2"	25	47,0	75	2	48
HKCFE1001158	100	35,25	115	G 1/2"	30	47,0	75	2	43