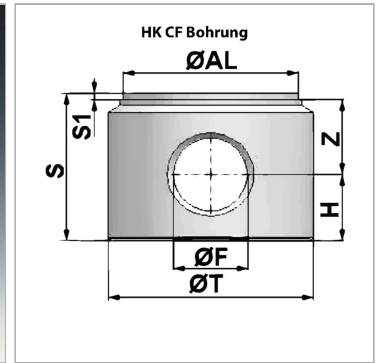


### Характеристики

**Материал**                      Сталь S355J0 (Fe510C)



### Артикул

Наименование	Ø AL	Ø F	Ø T	H	S	S1	Z
<a href="#">HKCF04005016</a>	40	16,20	50	15,0	35	2	18,0
<a href="#">HKCF05006020</a>	50	20,25	60	20,0	45	2	23,0
<a href="#">HKCF06007025</a>	60	25,25	70	22,5	50	2	25,5
<a href="#">HKCF07008025</a>	70	25,25	80	22,5	50	2	25,5
<a href="#">HKCF08009530</a>	80	30,25	95	25,0	60	2	33,0
<a href="#">HKCF10011535</a>	100	35,25	115	30,0	70	2	38,0