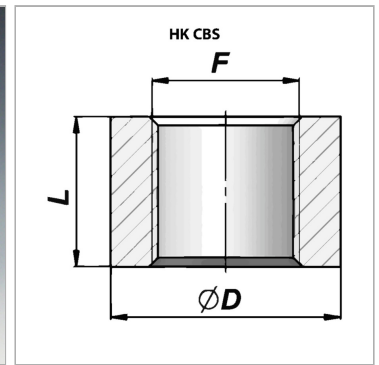


Характеристики

| | |
|----------|-----------|
| Материал | Steel C22 |
|----------|-----------|



Артикул

| Наименование | Ø D | L | F |
|---------------------------------|-----|----|------------|
| HKCBS0001215 | 22 | 16 | M 12 x 1,5 |
| HKCBS0001415 | 22 | 16 | M 14 x 1,5 |
| HKCBS0001615 | 26 | 17 | M 16 x 1,5 |
| HKCBS0001815 | 28 | 18 | M 18 x 1,5 |
| HKCBS0002015 | 30 | 18 | M 20 x 1,5 |
| HKCBS0002215 | 30 | 18 | M 22 x 1,5 |
| HKCBS0300000 | 20 | 14 | G 1/8" |
| HKCBS0400000 | 22 | 16 | G 1/4" |
| HKCBS0600000 | 26 | 17 | G 3/8" |
| HKCBS0800000 | 30 | 18 | G 1/2" |
| HKCBS1200000 | 38 | 20 | G 3/4" |
| HKCBS1600000 | 45 | 25 | G 1" |
| HKCBS2000000 | 55 | 25 | G 1.1/4" |
| HKCBS2400000 | 62 | 30 | G 1.1/2" |
| HKCBSNPT0000014 | 26 | 15 | NPT 1/4" |