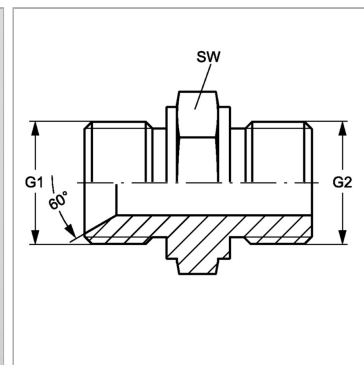


Характеристики

| | |
|---------------------------|--|
| Конструкция | прямые |
| Модель | Ввертный штуцер |
| Форма уплотнения 1 | Внутренний конус 60° |
| Соединение 1 | Метрическая наружная резьба, цилиндрическая |
| Форма уплотнения 2 | Форма А |
| Соединение 2 | Наружная резьба BSP, цилиндрическая |
| Материал | Сталь |
| Защита поверхности | Гальваническое покрытие |



Артикул

| Наименование | G1 | G2 | i1 | i2 | L1 | Ø d1 | Ø d2 | SW |
|--------------------------|------------|--------------|----|------|------|------|------|----|
| GEH06R | M 14 x 1,5 | G 1/4" -19 | 10 | 11,0 | 28,0 | 6,0 | 4,7 | 19 |
| GEH08R06 | M 16 x 1,5 | G 1/4" -19 | 11 | 11,0 | 29,0 | 8,0 | 4,7 | 19 |
| GEH08R10 | M 16 x 1,5 | G 3/8" -19 | 11 | 12,0 | 31,5 | 7,0 | 7,0 | 22 |
| GEH10R | M 18 x 1,5 | G 3/8" -19 | 11 | 12,0 | 31,5 | 10,0 | 7,9 | 22 |
| GEH10R13 | M 18 x 1,5 | G 1/2" -14 | 11 | 14,0 | 37,0 | 10,0 | 10,0 | 27 |
| GEH13R | M 22 x 1,5 | G 1/2" -14 | 12 | 14,0 | 38,0 | 11,1 | 11,1 | 27 |
| GEH13R20 | M 22 x 1,5 | G 3/4" -14 | 12 | 16,0 | 40,0 | 12,0 | 16,7 | 32 |
| GEH16R13 | M 26 x 1,5 | G 1/2" -14 | 12 | 14,0 | 38,0 | 15,0 | 11,1 | 27 |
| GEH16R20 | M 26 x 1,5 | G 3/4" -14 | 12 | 16,0 | 40,0 | 15,0 | 15,0 | 32 |
| GEH20R | M 30 x 1,5 | G 3/4" -14 | 14 | 16,0 | 42,0 | 19,0 | 16,7 | 32 |
| GEH20R25 | M 30 x 1,5 | G 1" -11 | 14 | 19,0 | 46,5 | 19,0 | 22,2 | 41 |
| GEH25R | M 38 x 1,5 | G 1" -11 | 14 | 19,0 | 46,5 | 25,0 | 22,2 | 41 |
| GEH32R | M 45 x 1,5 | G 1.1/4" -11 | 16 | 28,6 | 51,0 | 32,0 | 28,6 | 50 |
| GEH40R | M 52 x 1,5 | G 1.1/2" -11 | 16 | 22,0 | 53,0 | 39,0 | 33,3 | 55 |
| GEH50R | M 65 x 2 | G 2" -11 | 17 | 25,0 | 63,5 | 46,0 | 46,0 | 70 |
| GEH60R | M 78 x 2 | G 2.1/2" -11 | - | - | - | - | - | 85 |

SW = размер под ключ