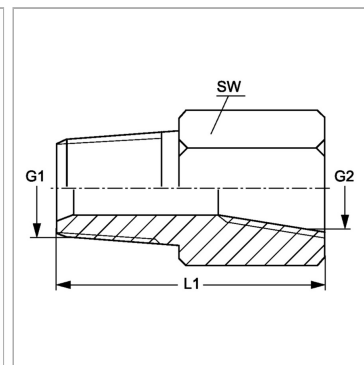


Характеристики

| | |
|---------------------------|-----------------------|
| Конструкция | прямые |
| Модель | Соединительный штуцер |
| Форма уплотнения 1 | Резьбовое уплотнение |
| Соединение 1 | Наружная резьба NPT |
| Форма уплотнения 2 | Резьбовое уплотнение |
| Соединение 2 | Внутренняя резьба NPT |
| Материал | нержавеющая сталь |



Артикул

| Наименование | G1 | G2 | SW |
|-----------------------------|--------------|--------------|----|
| GHN02INVA | 1/8" -27 NPT | 1/8" -27 NPT | 16 |
| GHN02IN04VA | 1/8" -27 NPT | 1/4" -18 NPT | 19 |
| GHN04INVA | 1/4" -18 NPT | 1/4" -18 NPT | 19 |
| GHN04IN02VA | 1/4" -18 NPT | 1/8" -27 NPT | 19 |
| GHN04IN06VA | 1/4" -18 NPT | 3/8" -18 NPT | 22 |
| GHN04IN08VA | 1/4" -18 NPT | 1/2" -14 NPT | 29 |
| GHN06IN02VA | 3/8" -18 NPT | 1/8" -27 NPT | 22 |
| GHN06IN04VA | 3/8" -18 NPT | 1/4" -18 NPT | 19 |
| GHN06INVA | 3/8" -18 NPT | 3/8" -18 NPT | 22 |
| GHN06IN08VA | 3/8" -18 NPT | 1/2" -14 NPT | 29 |
| GHN08IN02VA | 1/2" -14 NPT | 1/8" -27 NPT | 29 |
| GHN08IN04VA | 1/2" -14 NPT | 1/4" -18 NPT | 29 |
| GHN08IN06VA | 1/2" -14 NPT | 3/8" -18 NPT | 29 |
| GHN08IN12VA | 1/2" -14 NPT | 3/4" -14 NPT | 35 |
| GHN12IN04VA | 3/4" -14 NPT | 1/4" -18 NPT | 35 |
| GHN12IN06VA | 3/4" -14 NPT | 3/8" -18 NPT | 35 |
| GHN12IN08VA | 3/4" -14 NPT | 1/2" -14 NPT | 35 |
| GHN16IN08VA | 1" -11,5 NPT | 1/2" -14 NPT | 42 |
| GHN16IN12VA | 1" -11,5 NPT | 3/4" -14 NPT | 42 |

SW = размер под ключ