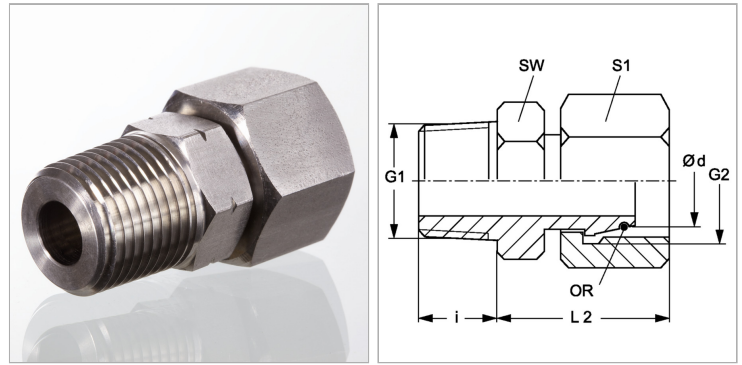


Характеристики

| | |
|---------------------------|---|
| Соединение 1 | Наружная резьба NPT |
| Форма уплотнения 1 | Резьбовое уплотнение |
| Форма уплотнения 2 | Наружный конус 24° с кольцом круглого сечения |
| Соединение 2 | Метрическая гаечная резьба |
| Модель | Ввертное резьбовое соединение |
| Конструкция | прямые |
| Норма | DIN 2353 ISO 8434-1 |
| Материал | нержавеющая сталь |



Артикул

| Наименование | G1 | G2 | i | L2 | SW | Ø d | Рабочее давление, бар | S1 | Кольцо круглого сечения |
|--------------------------------|------------------|------------|------|------|----|-----|-----------------------|----|-------------------------|
| AOVNNW04LVA | 1/8" -27 NPT | M 12 x 1,5 | 10,0 | 31,5 | 11 | 6 | PN 315 | 14 | 4,0 x 1,5 |
| AOVNNW04L1/4VA | 1/4" -18 NPT | M 12 x 1,5 | 15,0 | 37,0 | 14 | 6 | PN 315 | 14 | 4,0 x 1,5 |
| AOVNNW06LVA | 1/4" -18 NPT | M 14 x 1,5 | 14,5 | 37,5 | 14 | 8 | PN 315 | 17 | 6,0 x 1,5 |
| AOVNNW08LVA | 1/4" -18 NPT | M 16 x 1,5 | 14,5 | 38,0 | 14 | 10 | PN 315 | 19 | 7,5 x 1,5 |
| AOVNNW08L3/8VA | 3/8" -18 NPT | M 16 x 1,5 | 15,3 | 43,0 | 19 | 10 | PN 315 | 19 | 7,5 x 1,5 |
| AOVNNW10L1/4VA | 1/4" -18 NPT | M 18 x 1,5 | 15,0 | 40,0 | 17 | 12 | PN 315 | 22 | 9,0 x 1,5 |
| AOVNNW10LVA | 3/8" -18 NPT | M 18 x 1,5 | 14,5 | 40,0 | 19 | 12 | PN 315 | 22 | 9,0 x 1,5 |
| AOVNNW10L1/2VA | 1/2" -14 NPT | M 18 x 1,5 | 20,0 | 47,0 | 22 | 12 | PN 315 | 22 | 9,0 x 1,5 |
| AOVNNW13LVA | 1/2" -14 NPT | M 22 x 1,5 | 19,5 | 49,5 | 22 | 15 | PN 315 | 27 | 12,0 x 2,0 |
| AOVNNW16LVA | 1/2" -14 NPT | M 26 x 1,5 | 19,5 | 49,0 | 24 | 18 | PN 315 | 32 | 15,0 x 2,0 |
| AOVNNW20L1/2VA | 1/2" -14 NPT | M 30 x 2 | 20,0 | 50,0 | 27 | 22 | PN 160 | 36 | 20,0 x 2,0 |
| AOVNNW20LVA | 3/4" -14 NPT | M 30 x 2 | 19,5 | 52,0 | 27 | 22 | PN 160 | 36 | 20,0 x 2,0 |
| AOVNNW25LVA | 1" -11,5 NPT | M 36 x 2 | 24,5 | 61,0 | 36 | 28 | PN 160 | 41 | 26,0 x 2,0 |
| AOVNNW32LVA | 1.1/4" -11,5 NPT | M 45 x 2 | 25,0 | 65,5 | 46 | 35 | PN 160 | 50 | 32,0 x 2,5 |
| AOVNNW40LVA | 1.1/2" -11,5 NPT | M 52 x 2 | 26,0 | 68,5 | 50 | 42 | PN 160 | 60 | 38,0 x 2,5 |
| AOVNNW03SVA | 1/4" -18 NPT | M 14 x 1,5 | 14,5 | 37,5 | 14 | 6 | PN 630 | 17 | 4,0 x 1,5 |
| AOVNNW04SVA | 1/4" -18 NPT | M 16 x 1,5 | 14,5 | 38,0 | 14 | 8 | PN 630 | 19 | 6,0 x 1,5 |
| AOVNNW06SVA | 3/8" -18 NPT | M 18 x 1,5 | 14,5 | 40,5 | 19 | 10 | PN 630 | 22 | 7,5 x 1,5 |
| AOVNNW08SVA | 3/8" -18 NPT | M 20 x 1,5 | 14,5 | 42,0 | 19 | 12 | PN 630 | 24 | 9,0 x 1,5 |
| AOVNNW08S1/4VA | 1/4" -18 NPT | M 20 x 1,5 | 15,0 | 41,5 | 17 | 12 | PN 630 | 24 | 9,0 x 1,5 |
| AOVNNW08S1/2VA | 1/2" -14 NPT | M 20 x 1,5 | 20,0 | 48,0 | 22 | 12 | PN 630 | 24 | 9,0 x 1,5 |
| AOVNNW10SVA | 1/2" -14 NPT | M 22 x 1,5 | 19,5 | 50,5 | 22 | 14 | PN 630 | 27 | 10,0 x 2,0 |
| AOVNNW13S3/8VA | 3/8" -18 NPT | M 24 x 1,5 | 15,3 | 45,0 | 22 | 16 | PN 400 | 30 | 12,0 x 2,0 |
| AOVNNW13SVA | 1/2" -14 NPT | M 24 x 1,5 | 19,5 | 51,0 | 22 | 16 | PN 400 | 30 | 12,0 x 2,0 |
| AOVNNW13S3/4VA | 3/4" -14 NPT | M 24 x 1,5 | 20,0 | 49,0 | 27 | 16 | PN 400 | 30 | 12,0 x 2,0 |
| AOVNNW16SVA | 3/4" -14 NPT | M 30 x 2 | 19,5 | 54,0 | 27 | 20 | PN 400 | 36 | 16,3 x 2,4 |
| AOVNNW20SVA | 1" -11,5 NPT | M 36 x 2 | 24,5 | 63,5 | 36 | 25 | PN 400 | 46 | 20,3 x 2,4 |
| AOVNNW25SVA | 1.1/4" -11,5 NPT | M 42 x 2 | 25,0 | 70,5 | 46 | 30 | PN 400 | 50 | 25,3 x 2,4 |
| AOVNNW32SVA | 1.1/2" -11,5 NPT | M 52 x 2 | 26,0 | 73,5 | 50 | 38 | PN 315 | 60 | 33,3 x 2,4 |

Серия: LL = очень легкая; L = легкая; S = тяжелая

PN = Номинальное давление (бар)

PB = макс. Рабочее давление (бар)

Ø d = наружный диаметр трубы